

# **PN Series**

**Centrifugal pump EN 22858 PN serie in thermoplastic material**

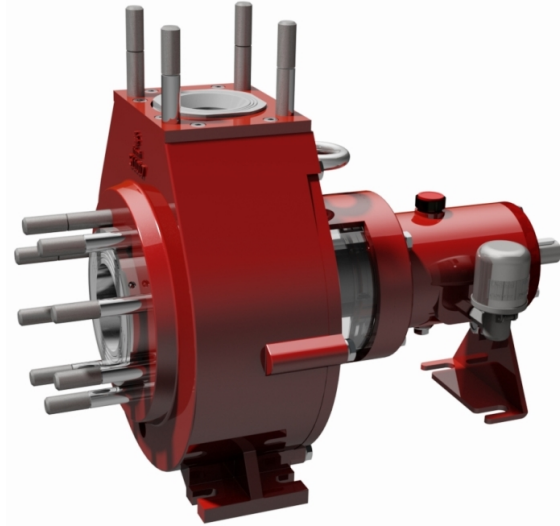
Horizontal centrifugal Pumps PN series according EN-22858, ISO-2858 are constructed in thermoplastic material for corrosive media and wide variety of industrial processes.

Their robustness and reliability make them suitable for the demanding working conditions of today's industry. They also have a wide chemical compatibility thanks to the variety of thermoplastic materials used.

### Double curvature open impeller execution.

The most demanded of our PN series are executed with a double curvature impeller, which allows a lower power consumption increasing the pump efficiency.

This system gives the possibility to regulate the fit between the impeller and the pump body, so the efficiency level of the pump can be adjusted during the pump lifetime.

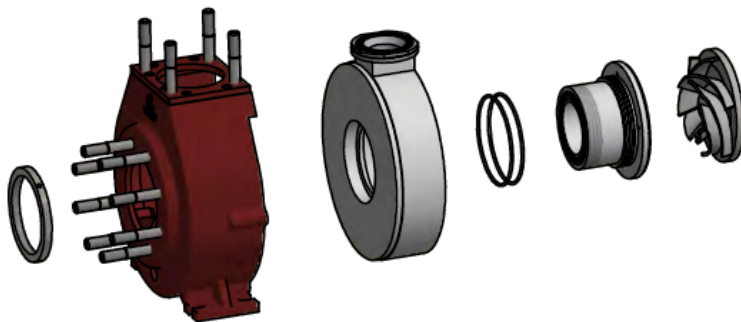


#### CHARACTERISTICS

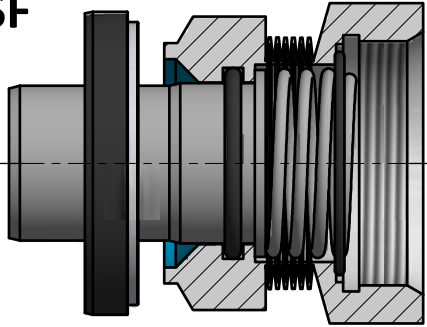
- Flow up to 450 m<sup>3</sup>/h.
- Head up to 120m.c.l

#### MATERIALS

- PP
- PEH
- PVC
- PVDF
- PTFE



### Type SF



#### MATERIALS

-SF: PTFE+Vx1/CERAMIC

-SC: SSiC/SSiC

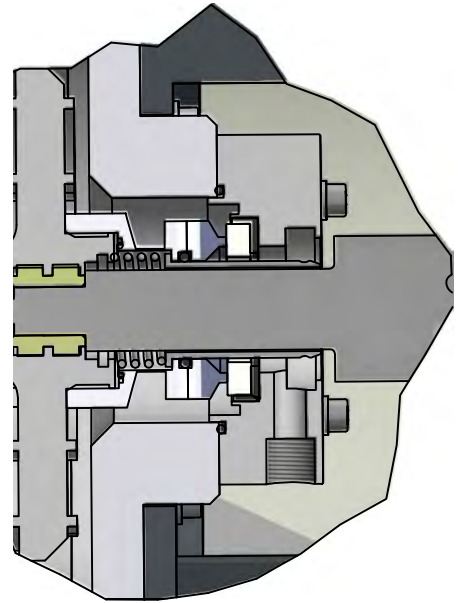
GASKETS:

-FPM/EPDM/PTFE/FFKM

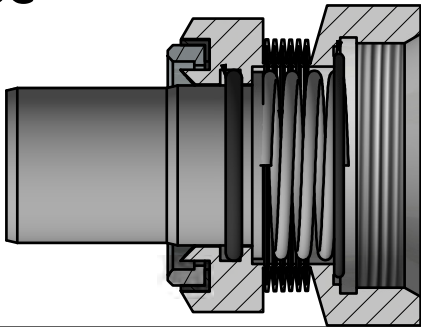
#### OPERATION LIMITS:

V=8,44 m/s

P= 6 bar



### Type SC



### Tipo SE



#### MATERIALES

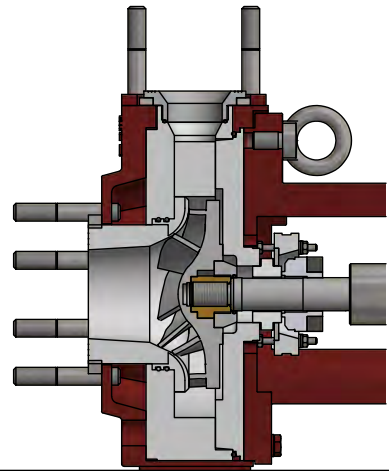
-PTFE+Vx1/CERAMIC -SSiC/SSiC

GASKETS:

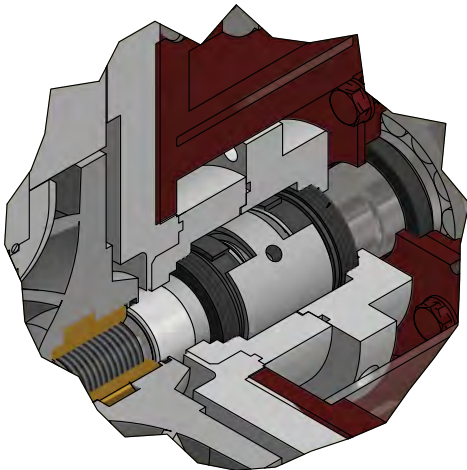
-FPM/EPDM/PTFE

#### OPERATION LIMITS:

V=8 m/s - P= 9 bar



### Type 8622 DOUBLE IN OPPOSITION - API plan 53/54 FLUSHING



**MATERIALES :** SSiC/SSiC

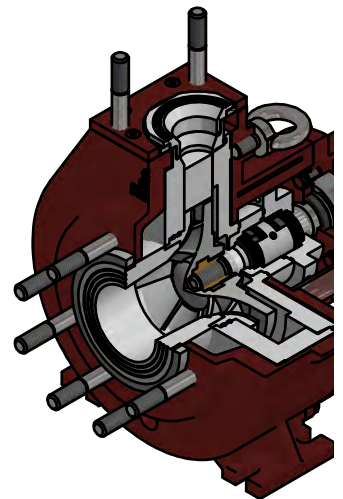
GASKETS: FPM/EPDM

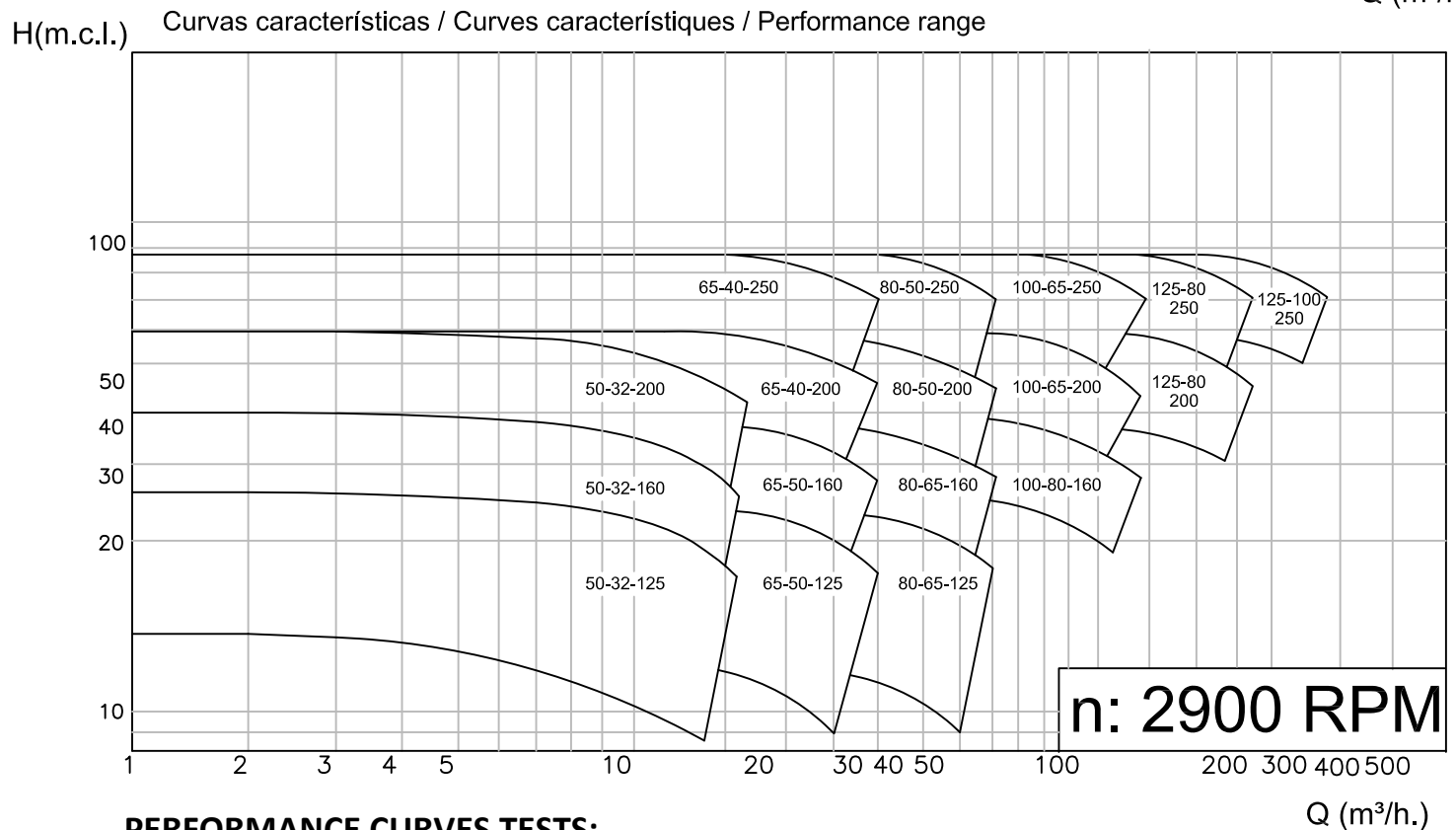
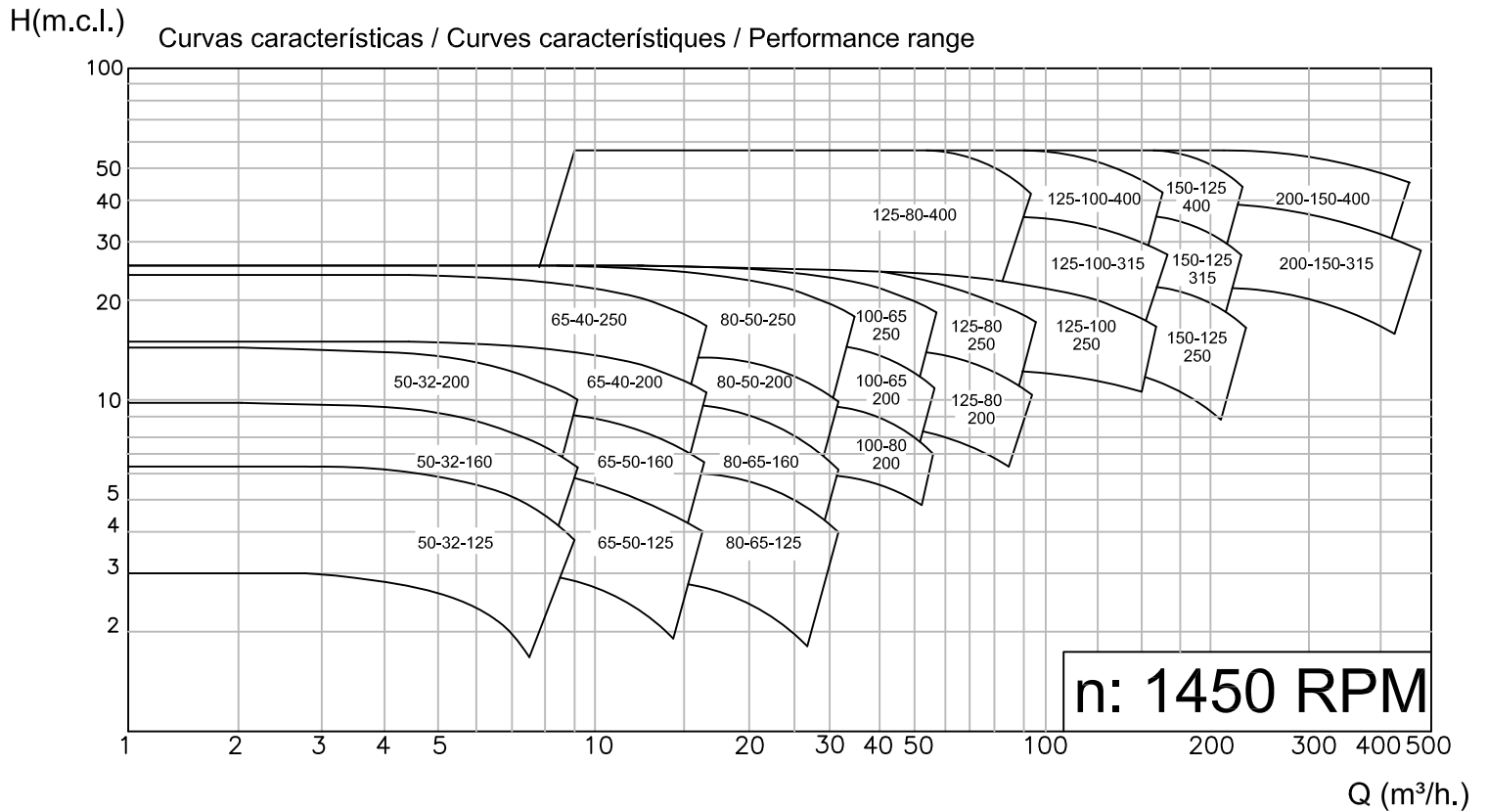
#### OPERATION LIMITS:

V=25 m/s

P= 10 bar

T= Up to 200°C

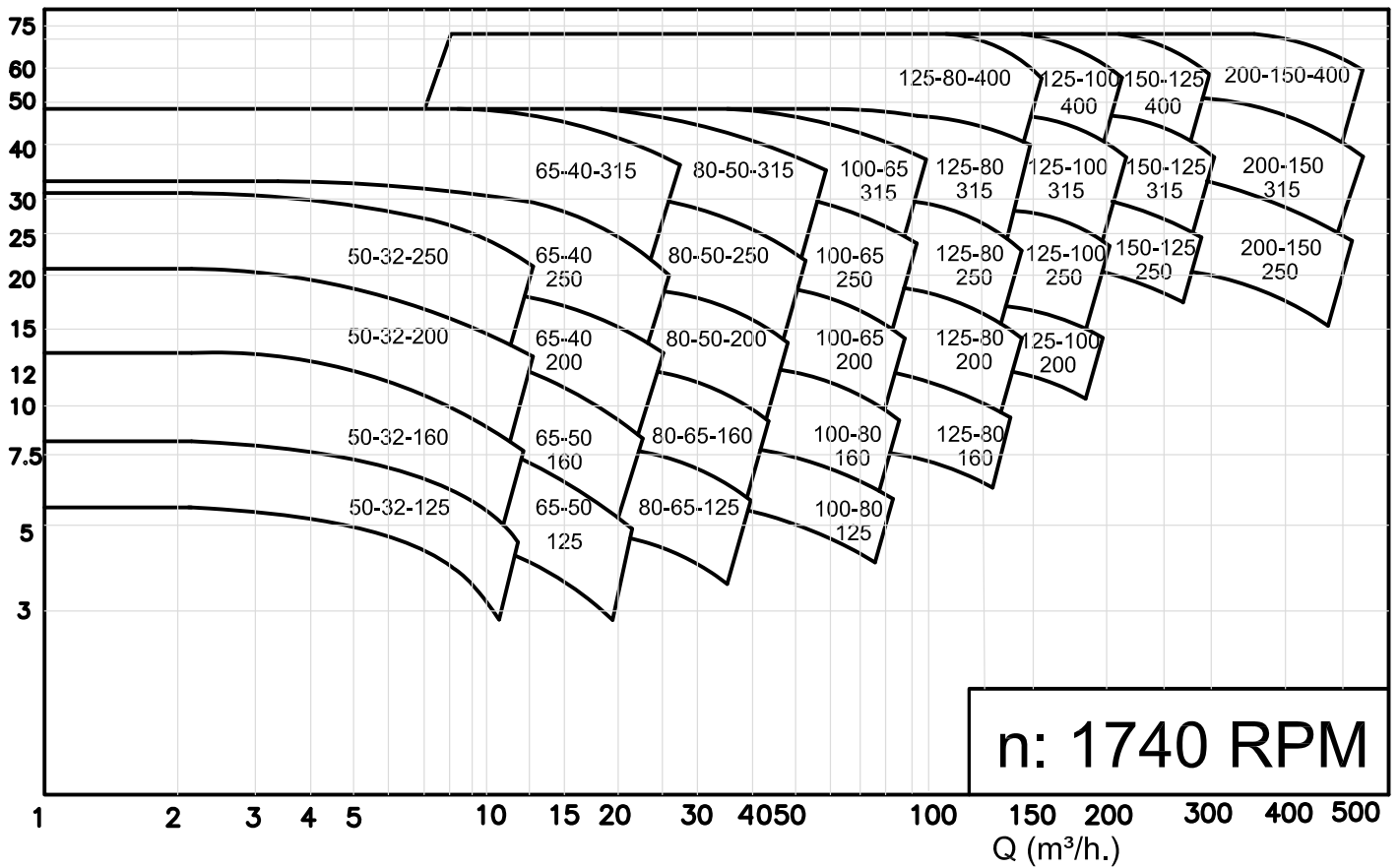




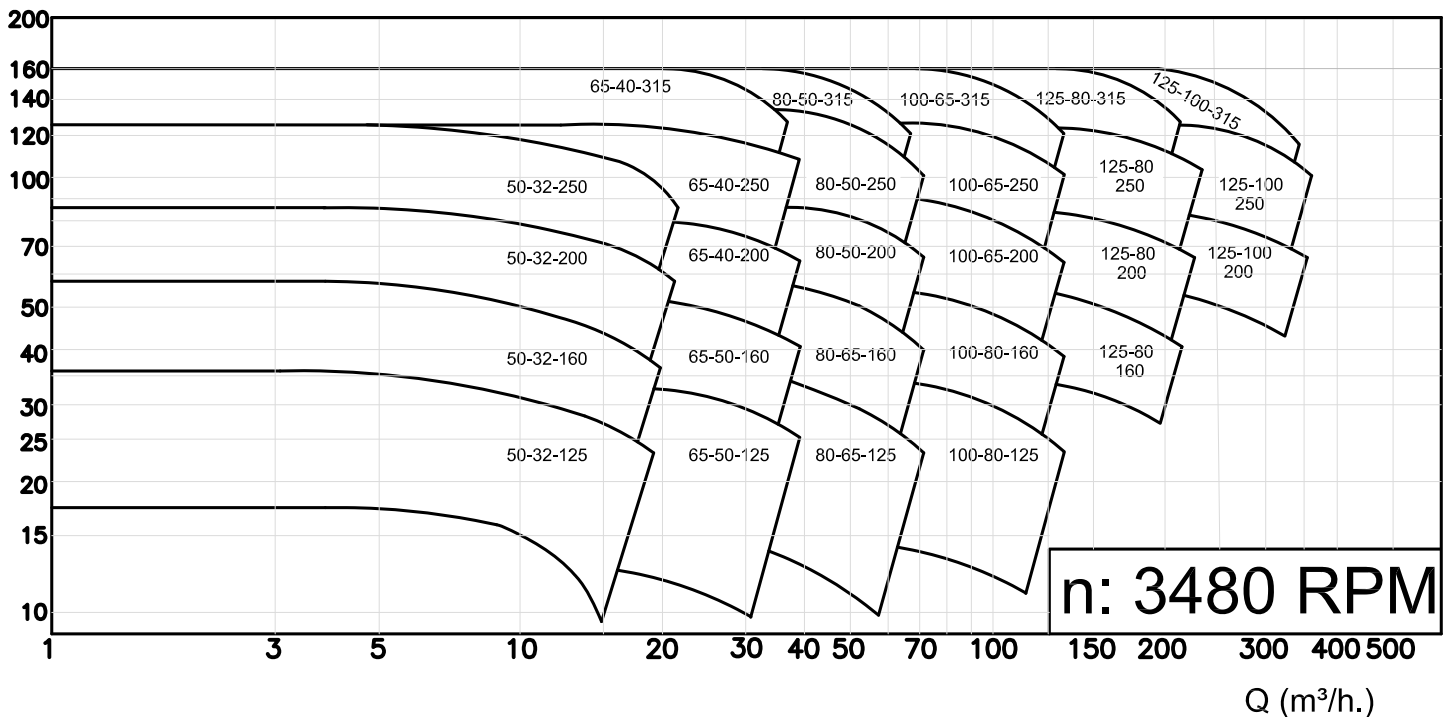
### PERFORMANCE CURVES TESTS:

Each single pump is delivered with performance test certificate according ISO 9906 - Grade 2  
Grades 1E / U under request.

H(m.c.l.) Curvas características / Curves caractéristiques / Performance range

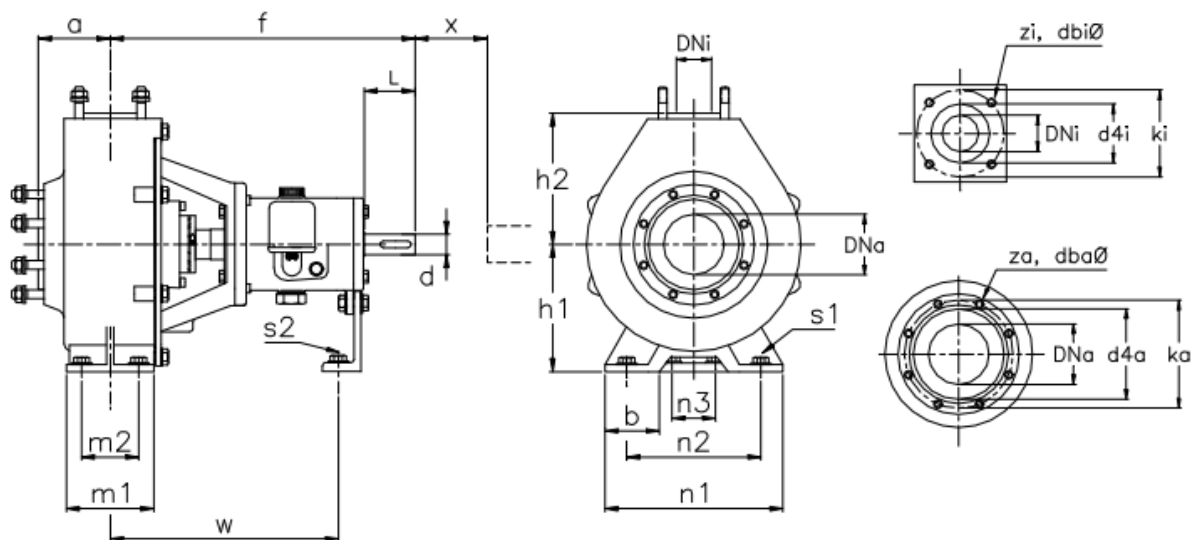


H(m.c.l.) Curvas características / Curves caractéristiques / Performance range



### PERFORMANCE CURVES TESTS:

Each single pump is delivered with performance test certificate according ISO 9906 - Grade 2  
Grades 1E / U under request.

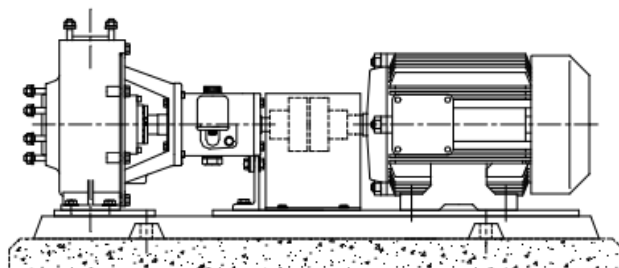


Dimensiones en mm. / Dimensions in mm. / Dimensions en mm.

TIPO TYPE PN	BRIDAS FLANGES BRIDES DIN-2502 PN16		BOMBA PUMP POMPE				APOYO SUPPORT APPUI					W	S1	S2	EJE SHAFT ARBRE			Spacer
	DNa	DNI	a	f	h1	h2	b	m1	m2	n1	n2				n3	d	L	
50-32-125	50	32	80	385	112	140	50	100	70	210	160	110	285	M 12	M 12	24	50	100
50-32-160					132	160				240	190							
50-32-200					160	180				240	190							
65-50-125	65	50	80	385	112	140	50	100	70	210	160	110	285	M 12	M 12	24	50	100
65-50-160					132	160				240	190							
65-50-200					160	180				265	212							
65-40-200	40	100	100	385	160	180	65	125	95	320	250	110	370	M 12	M 12	32	80	100
65-40-250					180	225				320	250							
80-65-125	80	65	100	385	132	160	50	100	70	240	190	110	285	M 12	M 12	24	50	100
80-65-160					160	180				265	212							
80-65-200					160	200				265	212							
80-50-200	50	125	500	180	225	250	65	125	95	320	250	110	370	M 12	M 12	32	80	100
80-50-250					225	280				345	280							
80-50-315	80	50	125	500	225	280	65	125	95	345	280	110	370	M 12	M 12	32	80	100
100-80-160					160	200				280	212							
100-80-200					180	225				320	250							
100-65-250	100	65	125	500	200	250	80	160	120	360	280	110	370	M 16	M 12	42	110	140
100-65-315					225	280				400	315							
125-80-200	125	80	125	500	180	250	65	125	95	345	280	110	370	M 12	M 12	32	80	140
125-80-250					225	280				400	315							
125-80-315					250	315				400	315							
125-80-400	125	100	140	530	280	355	80	160	120	435	355	110	370	M 16	M 12	42	110	140
125-100-250					225	280				400	315							
125-100-315					250	315				400	315							
125-100-400	125	100	140	530	280	355	100	200	150	500	400	110	370	M 20	M 12	42	110	140
150-125-250					250	315				400	315							
150-125-315					280	355				400	315							
150-125-400	150	125	140	530	280	355	100	160	120	400	315	110	370	M 16	M 12	42	110	140
200-150-250					250	315				400	315							
200-150-315					280	375				400	315							
200-150-400	200	150	160	530	280	375	100	200	150	500	400	110	370	M 20	M 12	42	110	180
200-150-450					315	400				550	450							

Bridas / Flanges / Brides: DIN-2502 PN16

DN	32	40	50	65	80	100	125	150	200
K	100	110	125	145	160	180	210	240	295
db Ø	M 16	M 16	M 16	M 16	M 16	M 16	M 16	M 20	M 20
z	4	4	4	4	8	8	8	8	12





Júpiter, 53 - P.I. Can Parellada - 08228 Terrassa  
BARCELONA  
inbeat@inbeat.es  
+34 93 785 25 16

[www.inbeat.es](http://www.inbeat.es)