

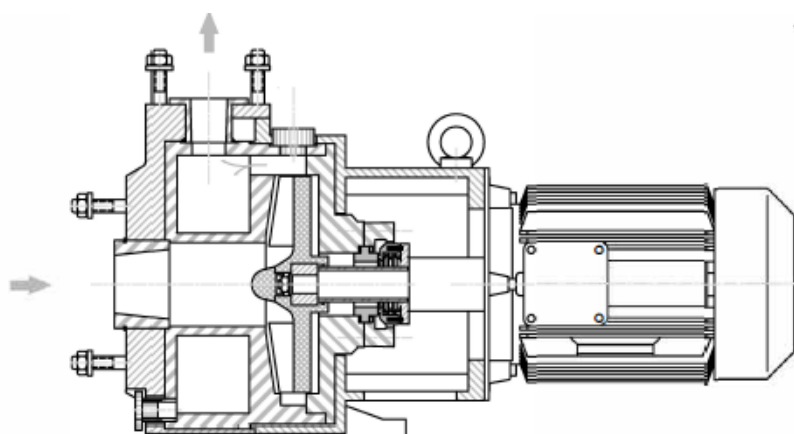
MPNSC Series

Close-coupled horizontal pump MPNSC series

GENERAL CHARACTERISTICS

Close-coupled horizontal centrifugal MPNSC pumps especially designed for emptying large tanks as a unloading pumps; as the pump eliminates air entering mixed with liquid. The safety chamber by these units can be an added value in discharge processes, since in the event of depletion of the tank to be discharged the pump chamber conveys the liquid remaining in the pump chamber for a maximum of 7 minutes, giving enough time to stop the unit and thereby prevent the damage typical of dry operation, to which thermoplastic units are particularly sensitive. The robustness of MPNSC units with support is combined with the advantage of the safety chamber in more demanding discharge processes than the range of flow rates and discharge pressures covered by MPNC units.

The shaft sealing systems meet the needs of the process with the possibility of installing a wide range of market seals, either single, double opposition or external well balanced. ATEX 94/9/CE arrangement under request



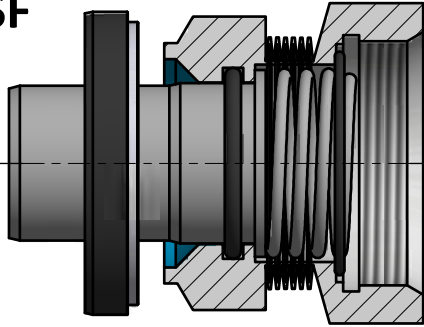
CHARACTERISTICS

- Flow up to 40 m³/h.
- Head up to 35mt.

MATERIALS

- PP
- PEH
- PVC
- PVDF

Type SF



MATERIALS

-SF: PTFE+Vx1/CERAMIC

-SC: SSiC/SSiC

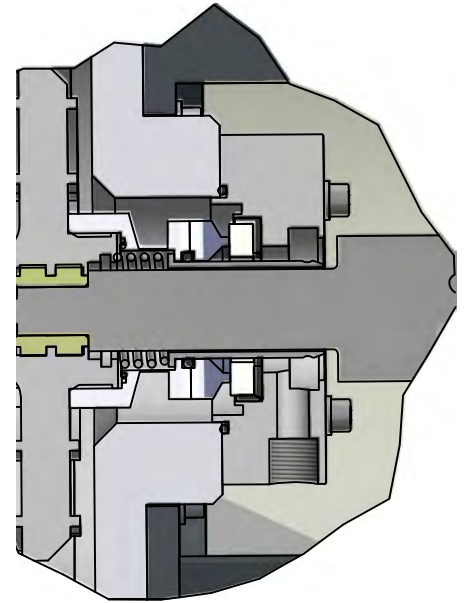
GASKETS:

-FPM/EPDM/PTFE/FFKM

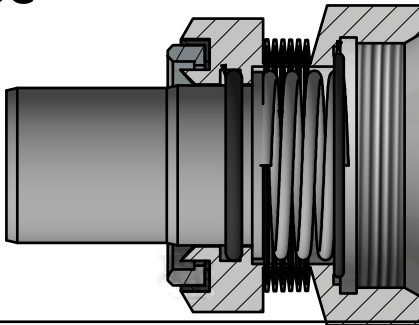
OPERATION LIMITS:

V=8,44 m/s

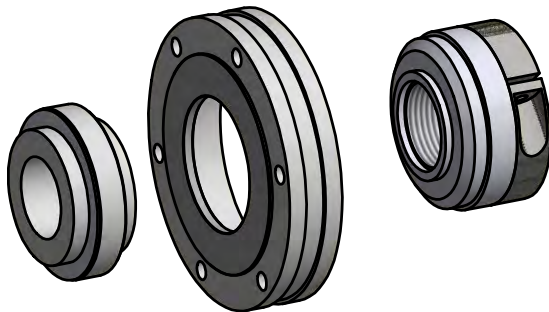
P= 6 bar



Type SC



Tipo SE



MATERIALES

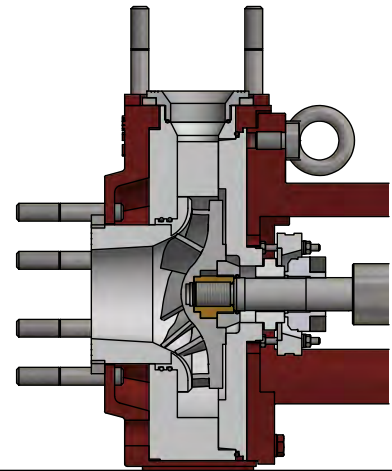
-PTFE+Vx1/CERAMIC -SSiC/SSiC

GASKETS:

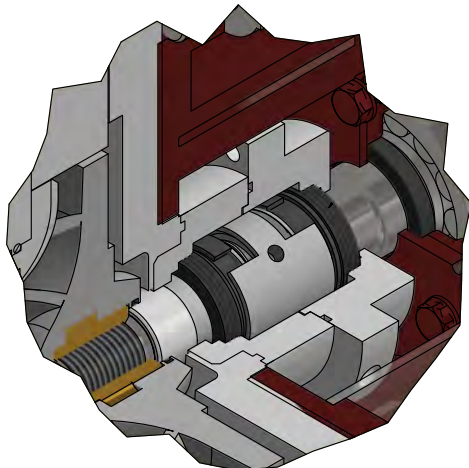
-FPM/EPDM/PTFE

OPERATION LIMITS:

V=8 m/s - P= 9 bar



Type 8622 DOUBLE IN OPPOSITION - API plan 53/54 FLUSHING



MATERIALES : SSiC/SSiC

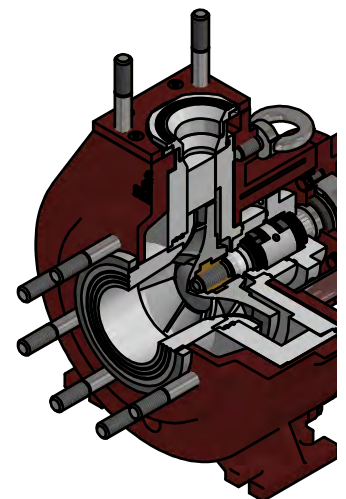
GASKETS: FPM/EPDM

OPERATION LIMITS:

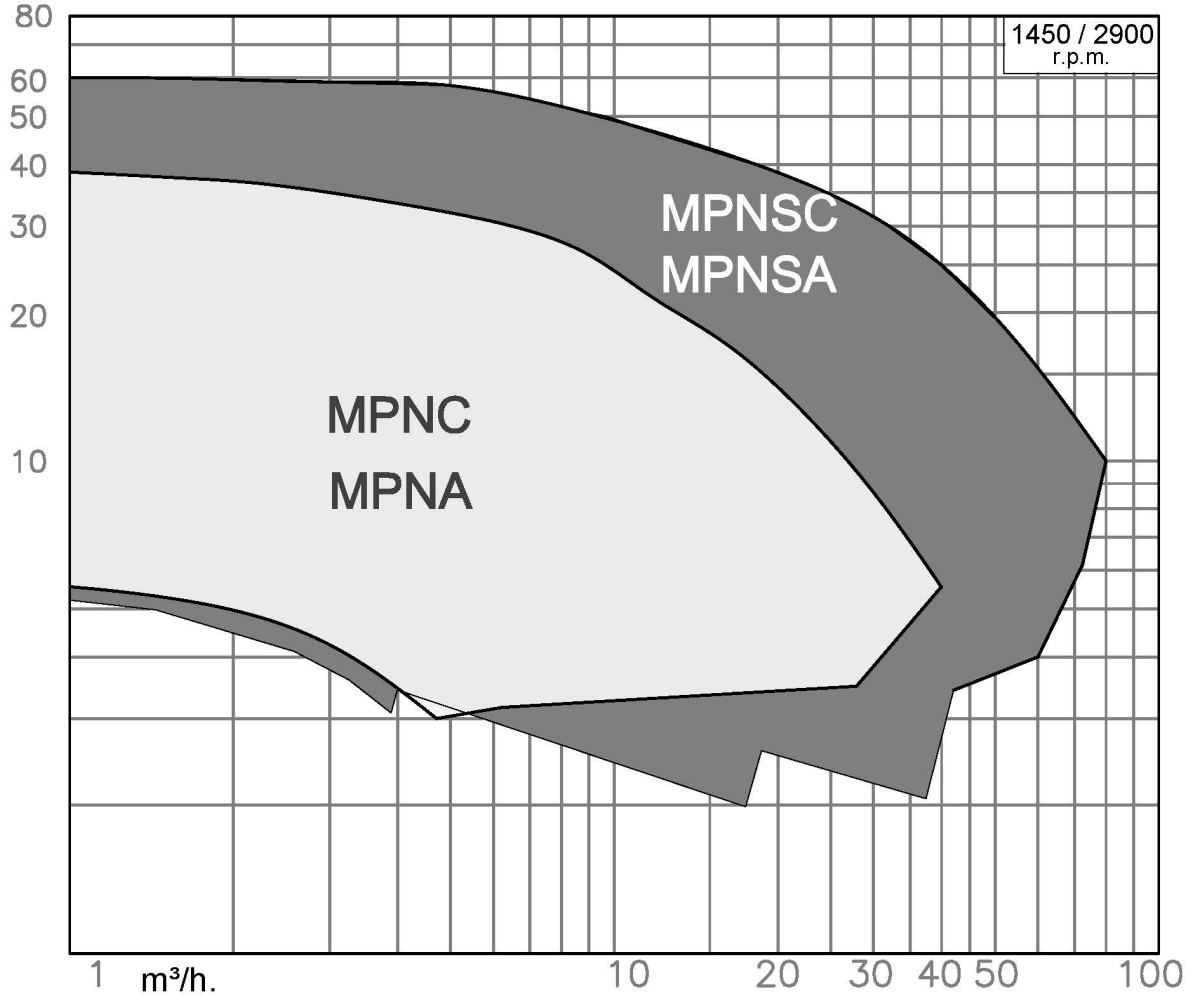
V=25 m/s

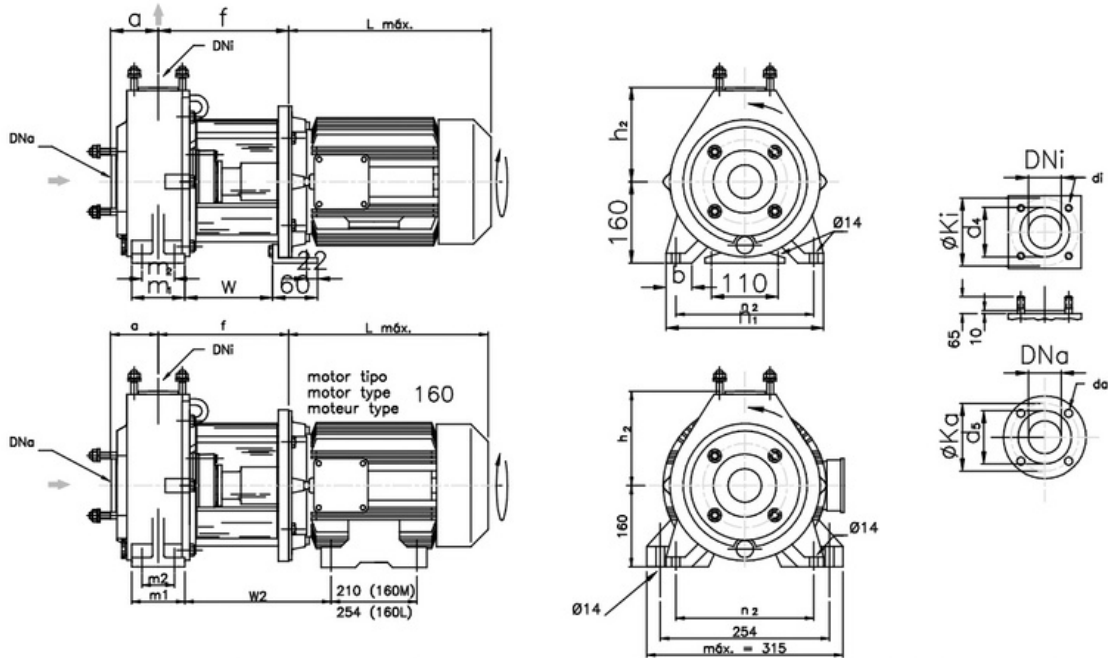
P= 10 bar

T= Up to 200°C



m.c.l. Curvas características / Performance range





Dimensiones en mm. / Dimensions in mm. / Dimensions en mm.

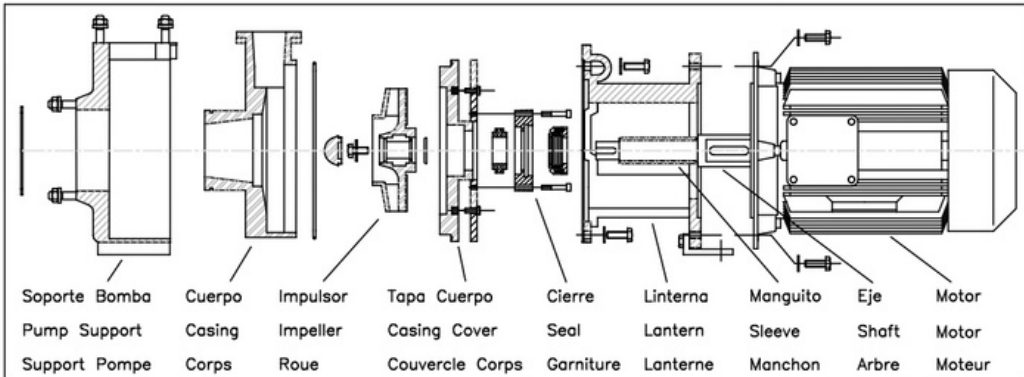
Doc. D-005 ed. 11/01

BOMBA / PUMP / POMPE

TIPO TYPE	BRIDAS FLANGES BRIDES		DIMENSIONES DIMENSIONS																	
	ISO 7005-1 PN-16 DNa	DNi	a	h ₂	m ₁	m ₂	f	w	w ₂	n ₁	n ₂	b	Ka	Ki	da/di	d ₅	d ₄	n'a	n'i	
MPNSC	65	50	80	160	100	70	298	224	386	240	190	50	145	125	M-16	100	100	4	4	4
65-40-200	65	40	180																	
80-65-125	80	65	160																	
80-65-160	80	65	180																	
80-50-200	80	50	200																	
100-80-160	100	80	100	200	125	95	()	249	412	280	212	65	180	160	M-16	135	125	8	8	

MOTOR / MOTEUR

TIPO/TYPE	MOTOR ELECTRICO NORMALIZADO STANDARDIZED ELECTRIC MOTOR								MOTEUR ÉLECTRIQUE NORMALISÉ	
	90	100	112	132	160					
Kw. 3000 rpm.	1.5	2.2	3	4	5.5	7.5	11	15	18.5	
Kw. 1500 rpm.	1.1	1.5	2.2	3	4	5.5	7.5	11	15	
L m6x.	260	295	315	421	537					
f	(100-80-160 = 336)				(100-80-160=366)					





Júpiter, 53 - P.I. Can Parellada - 08228 Terrassa
BARCELONA
inbeat@inbeat.es
+34 93 785 25 16

www.inbeat.es