

# MPNS series

Anticorrosive close-coupled horizontal pumps  
EN2258 based dimension

[www.inbeat.es](http://www.inbeat.es)

### GENERAL CHARACTERISTICS

MPNS it's a Close-coupled EN22858 pump version which allows to reach bigger duty points saving costs respect complete baseplate pump process. Their reliability and flexibility make them ideal for frequently used small and medium facilities. The MPNS series can be dismantled without changing its location.

The shaft sealing systems meet the needs of the process with the possibility of installing a wide range of market seals, either single, double opposition or external well balanced.

### APPLICATIONS

MPNS series are widely used in processes involving highly corrosive chemical substances specially suitable in scrubbers, recirculating and loading lines with a medium high flows and heads usually demanded on industry nowadays.

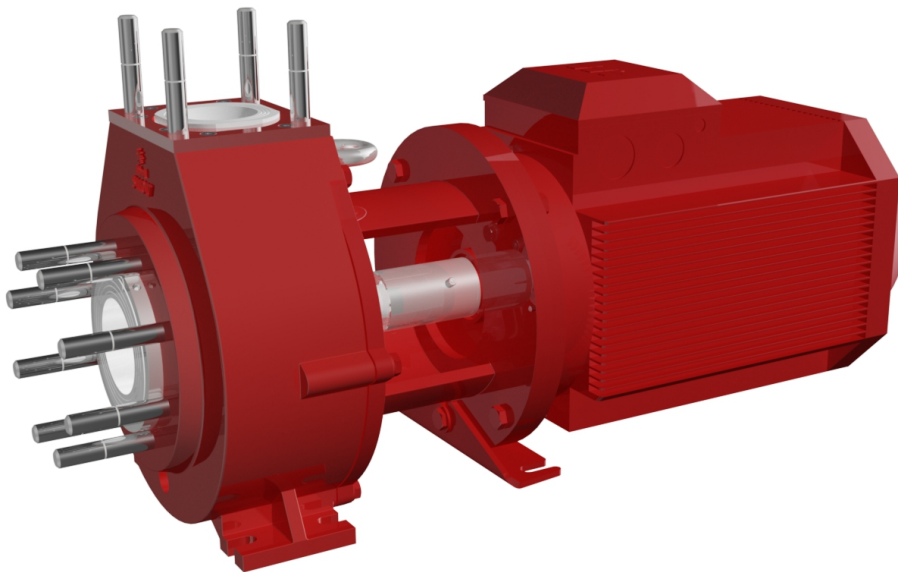
The scope of uses of MPNS series are wide-ranging: **Chemical industry, Water tratment Processes such as Desalination, steel industry, environment industry, etc.**

### FEATURES:

Flow: Up to 150 m<sup>3</sup>/h  
Head: Up to 50 m.c.l.

**ATEX 94/9/CE arrangement under request**

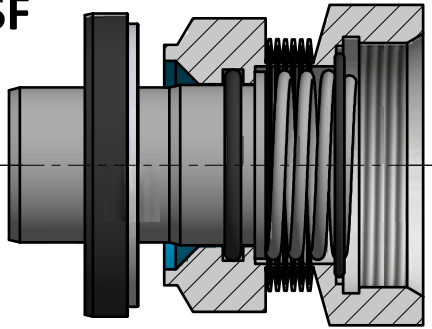
**MATERIALS:** PP / PVDF / PEH / PVC



### ADDITIONAL CHARACTERISTICS:

Paint protection according to ISO 12944-5:2007 Table A.3 category C3-M  
Availanle C4 & C5 paint protection levels under request.

Type **SF**



SINGLE INTERIOR EXECUTION - API plan 11/32 Available

**MATERIALS**

-SF: PTFE+Vx1/CERAMIC

-SC: SSiC/SSiC

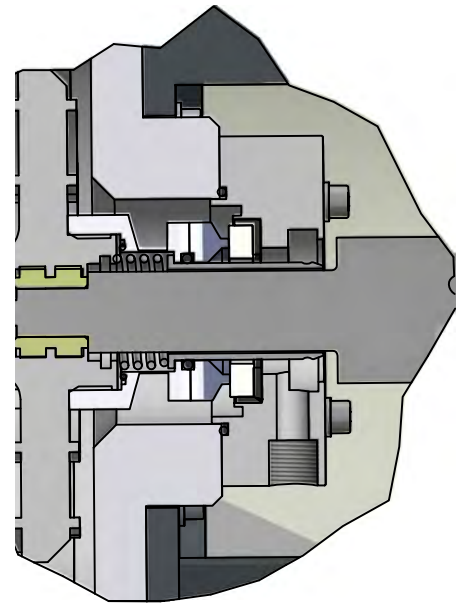
GASKETS:

-FPM/EPDM/PTFE/FFKM

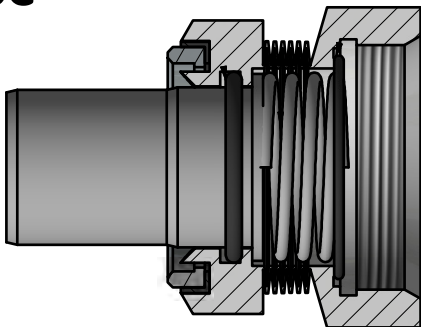
**OPERATION LIMITS:**

V=8,44 m/s

P= 6 bar

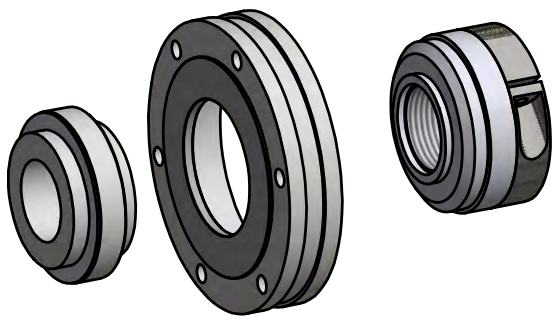


Type **SC**



Type **SE**

SINGLE EXTERIOR WELL BALANCED



**MATERIALS**

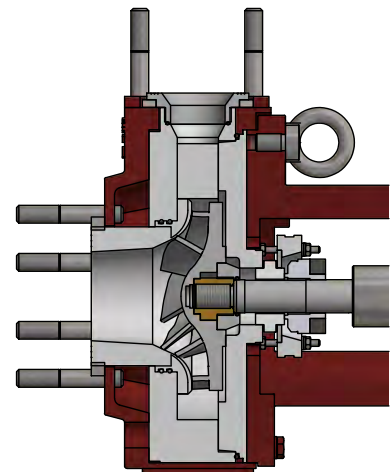
-PTFE+Vx1/CERAMIC -SSiC/SSiC

GASKETS:

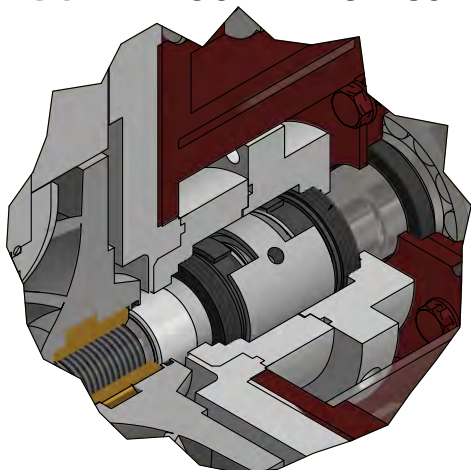
-FPM/EPDM/PTFE

**OPERATION LIMITS:**

V=8 m/s - P= 9 bar



Type **8622** DOUBLE IN OPPOSITION - API plan 53/54 FLUSHING



**MATERIALS :** SSiC/SSiC

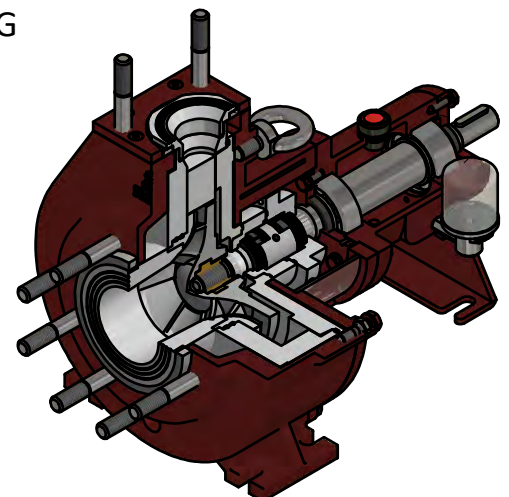
GASKETS: FPM/EPDM

**OPERATION LIMITS:**

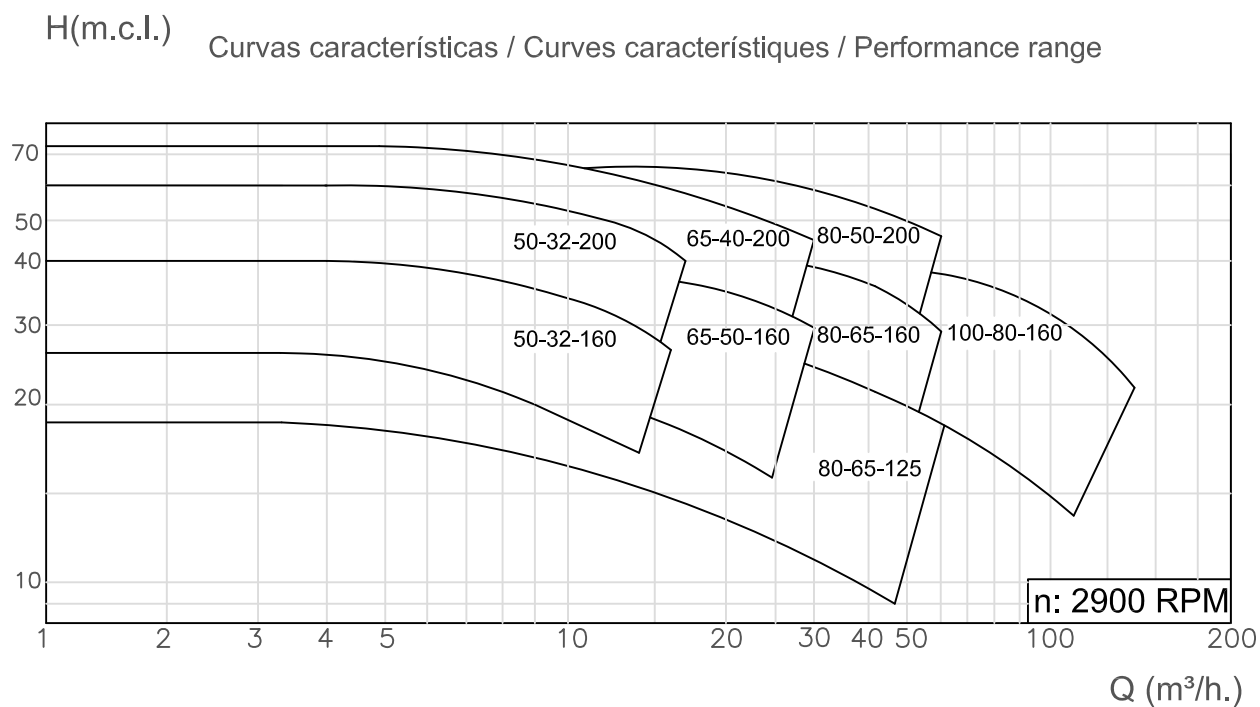
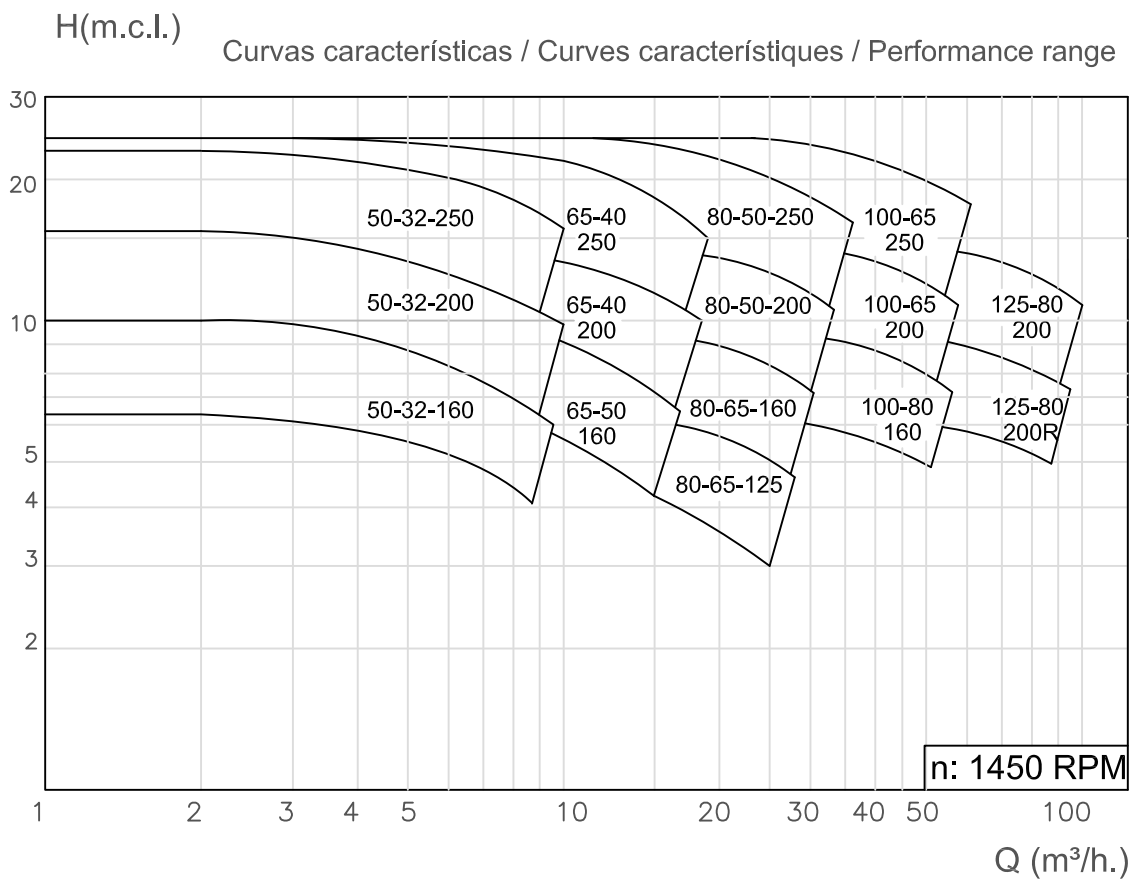
V=25 m/s

P= 10 bar

T= Up to 200°C

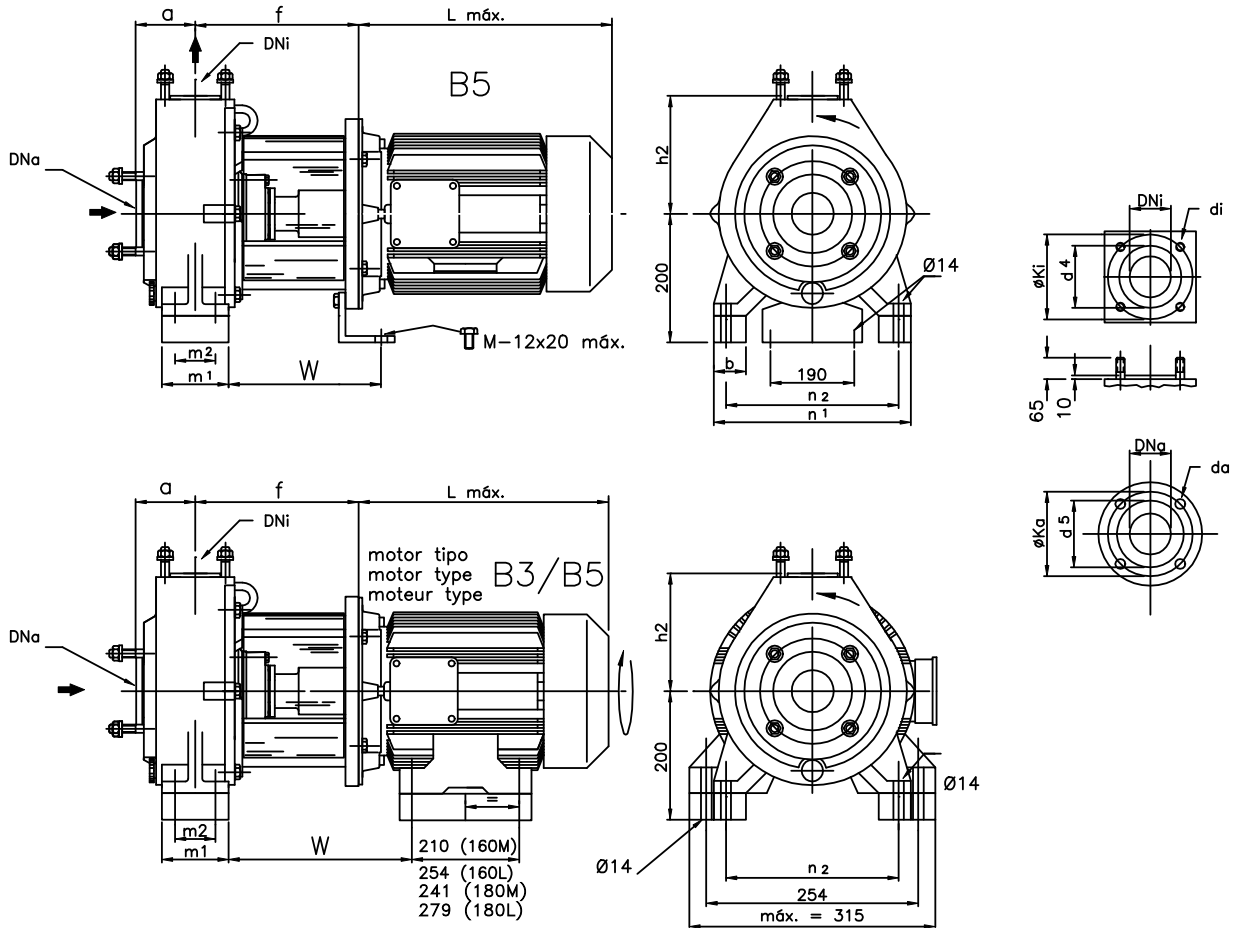


All wetted seal parts are made of thermoplastic and / or anticorrosive material.



**PERFORMANCE CURVES TESTS:**  
According ISO 9906 - Grade 2 & 1E



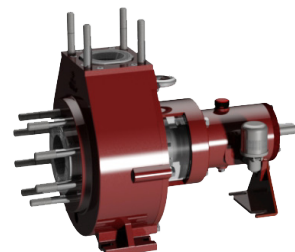
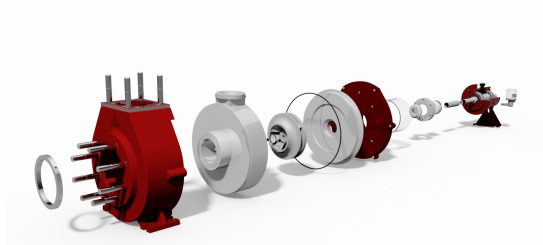
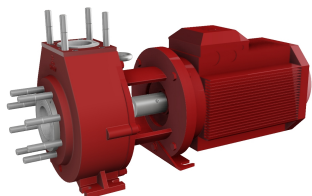


Dimensiones en mm. / Dimensions in mm. / Dimensions en mm.

| TIPO<br>TYPE<br>MPNS | BRIDAS<br>FLANGES<br>BRIDES |     | BOMBA<br>PUMP<br>POMPE |     |     |     | APOYO<br>SUPPORT<br>APPUI |     |     |     |     |     |              |     |     |     |     |     |     |     |     |     |     |
|----------------------|-----------------------------|-----|------------------------|-----|-----|-----|---------------------------|-----|-----|-----|-----|-----|--------------|-----|-----|-----|-----|-----|-----|-----|-----|-----|-----|
|                      | ISO 7005-1 PN16             |     | a                      | f   | h1  | h2  | b                         | m1  | m2  | n1  | n2  | W   | W<br>iec 180 |     |     |     |     |     |     |     |     |     |     |
|                      | DNa                         | DNi |                        |     |     |     |                           |     |     |     |     |     |              |     |     |     |     |     |     |     |     |     |     |
| 50-32-160            | 50                          | 32  | 80                     | 230 | 132 | 160 | 50                        | 100 | 70  | 240 | 190 | 270 | -            |     |     |     |     |     |     |     |     |     |     |
| 50-32-200            |                             |     |                        |     | 160 | 180 |                           |     |     |     |     | 318 | -            |     |     |     |     |     |     |     |     |     |     |
| 65-50-125            | 65                          | 50  | 80                     | 230 | 132 | 160 | 65                        | 125 | 95  | 320 | 250 | 165 | 178          |     |     |     |     |     |     |     |     |     |     |
| 65-50-160            |                             |     |                        |     | 160 | 180 |                           |     |     |     |     |     |              | 265 | 212 | 318 | -   |     |     |     |     |     |     |
| 65-40-200            |                             |     |                        |     | 40  | 100 |                           |     |     |     |     |     |              | 180 | 225 | 65  | 125 | 95  | 320 | 250 | 165 | 178 |     |
| 80-65-125            | 80                          | 65  | 100                    | 230 | 132 | 160 | 50                        | 100 | 70  | 240 | 190 | 270 | -            |     |     |     |     |     |     |     |     |     |     |
| 80-65-160            |                             |     |                        |     | 160 | 180 |                           |     |     |     |     |     |              | 265 | 212 | 318 | -   |     |     |     |     |     |     |
| 80-50-200            |                             |     |                        |     | 50  | 125 |                           |     |     |     |     |     |              | 247 | 180 | 225 | 65  | 125 | 95  | 320 | 250 | 156 | 170 |
| 100-80-160           | 100                         | 80  | 100                    | 230 | 277 | 160 | 65                        | 125 | 95  | 280 | 212 | 322 | 335          |     |     |     |     |     |     |     |     |     |     |
| 100-65-200           |                             |     |                        |     | 247 | 180 |                           |     |     |     |     |     |              | 225 | 320 | 250 | 156 | 170 |     |     |     |     |     |
| 100-65-250           |                             |     |                        |     | 65  | 125 |                           |     |     |     |     |     |              | 285 | 200 | 250 | 80  | 160 | 120 | 360 | 280 | 295 | 308 |
| 100-65-315           |                             |     |                        |     |     |     |                           |     |     |     |     |     |              |     |     |     |     |     |     |     |     |     |     |
| 125-80-200           | 125                         | 80  | 125                    | 230 | 277 | 180 | 65                        | 125 | 95  | 345 | 280 | 165 | 178          |     |     |     |     |     |     |     |     |     |     |
| 125-80-200R          |                             |     |                        |     | 225 | 280 |                           |     |     |     |     |     |              | 295 | 308 |     |     |     |     |     |     |     |     |
| 125-80-250           |                             |     |                        |     | 315 | 250 |                           |     |     |     |     |     |              | 315 | 80  | 160 | 120 | 400 | 315 | 343 | 356 |     |     |
| 125-80-315           |                             |     |                        |     |     |     |                           |     |     |     |     |     |              |     |     |     |     |     |     |     |     | 280 | 355 |
| 125-100-250          | 125                         | 100 | 140                    | 315 | 225 | 280 | 80                        | 160 | 120 | 400 | 315 | 343 | 356          |     |     |     |     |     |     |     |     |     |     |
| 125-100-315          |                             |     |                        |     | 250 | 315 |                           |     |     |     |     |     |              |     |     |     |     |     |     |     |     |     |     |
| 200-150-250          | 200                         | 150 | 160                    | 315 | 280 | 375 | 100                       | 200 | 150 | 500 | 400 | 323 | 336          |     |     |     |     |     |     |     |     |     |     |

Bridas / Flanges / Brides: ISO 7005-1 PN16

| DN     | 32   | 40   | 50   | 65   | 80   | 100  | 125  | 150  | 200  |
|--------|------|------|------|------|------|------|------|------|------|
| K      | 100  | 110  | 125  | 145  | 160  | 180  | 210  | 240  | 295  |
| da-i Ø | M 16 | M 16 | M 16 | M 16 | M 16 | M 16 | M 16 | M 20 | M 20 |
| z      | 4    | 4    | 4    | 4    | 8    | 8    | 8    | 8    | 12   |



Júpiter, 53 - P.I. Can Parellada - 08228 Terrassa  
BARCELONA  
[www.inbeat.es](http://www.inbeat.es) • [inbeat@inbeat.es](mailto:inbeat@inbeat.es)  
+34 93 785 25 16

