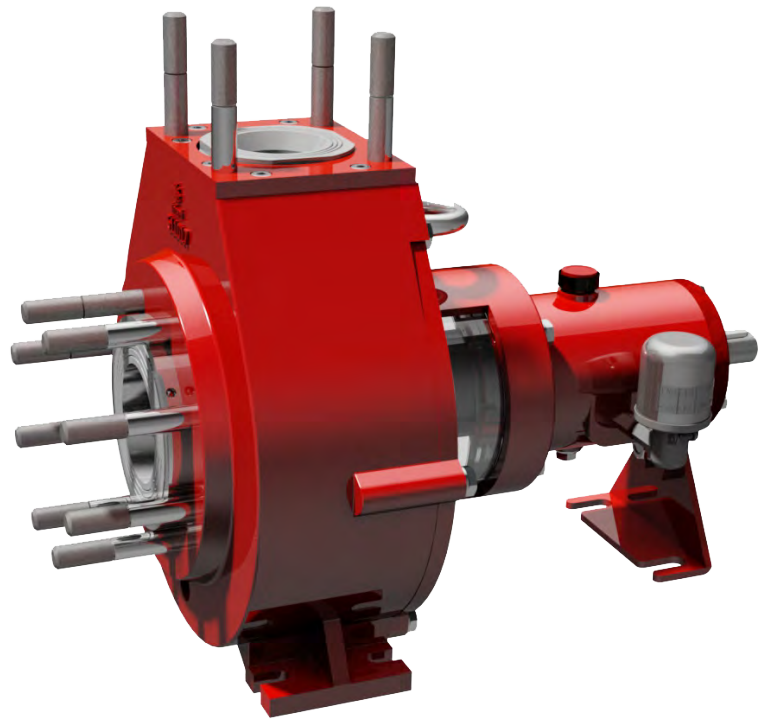




[www.inbeat.es](http://www.inbeat.es)

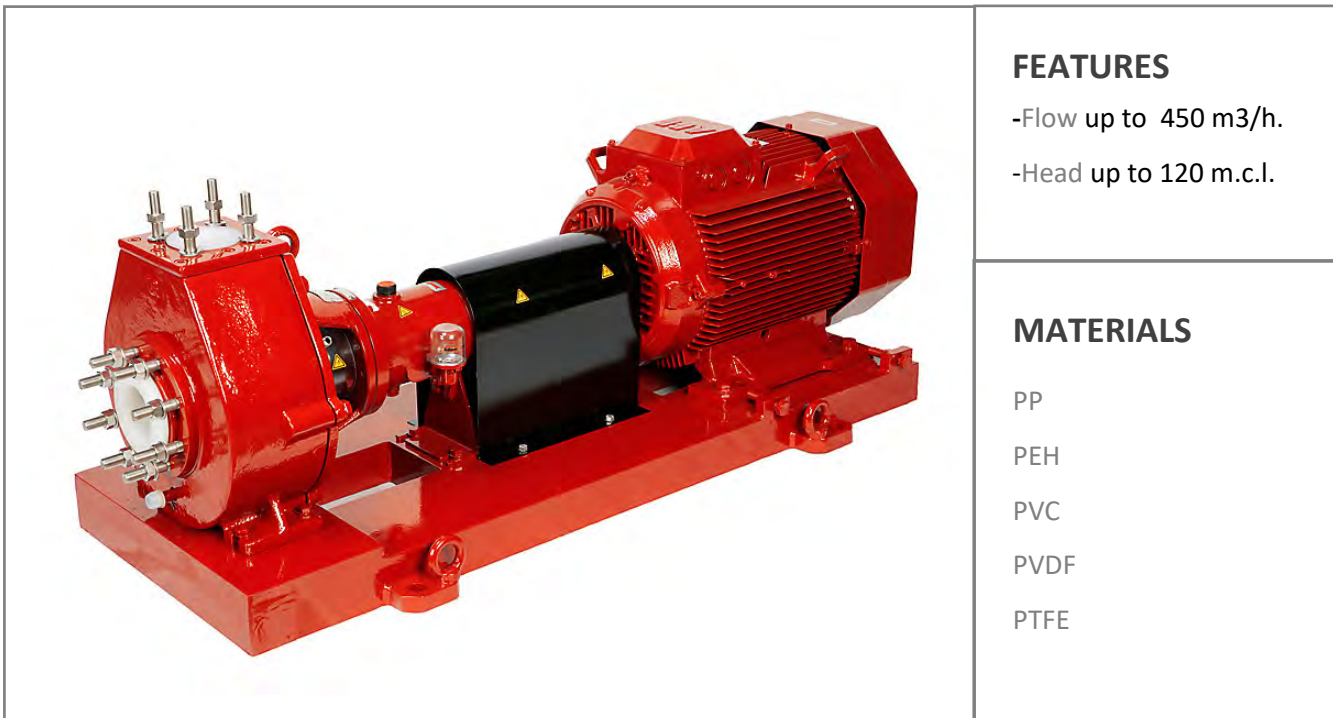


# PN series

## EN 22858 CHEMICAL CENTRIFUGAL PUMP

### PN Series

Horizontal centrifugal Pumps PN series according EN-22858, ISO-2858 are constructed in thermoplastic material for corrosive media and wide variety of industrial processes.

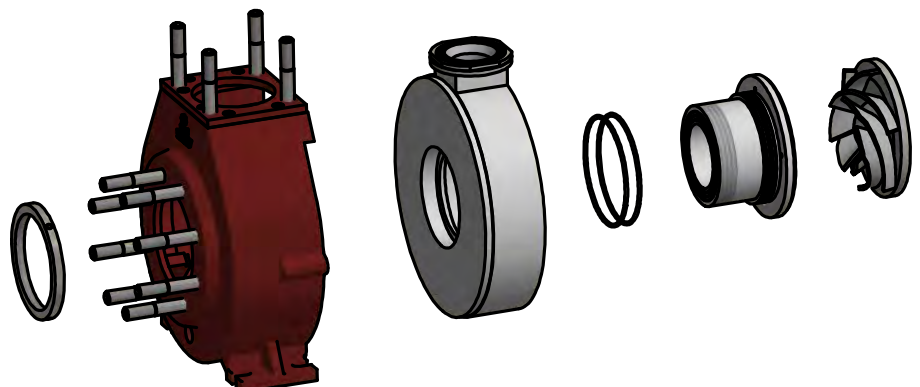


Their robustness and reliability make them suitable for the demanding working conditions of today's industry. They also have a wide chemical compatibility thanks to the variety of thermoplastic materials used.

### Double curvature open impeller execution

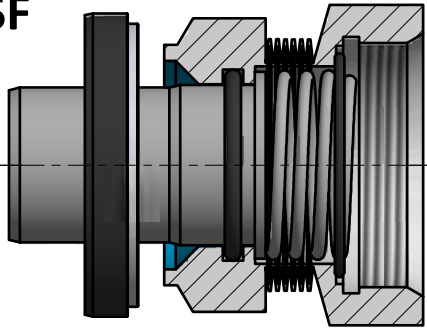
The most demanded of our PN series are executed with a double curvature impeller, which allows a lower power consumption increasing the pump efficiency.

This system gives the possibility to regulate the fit between the impeller and the pump body, so the efficiency level of the pump can be adjusted during the pump lifetime.



**ATEX 94/9/CE arrangement under request**

### Type SF



#### MATERIALS

-SF: PTFE+Vx1/CERAMIC

-SC: SSiC/SSiC

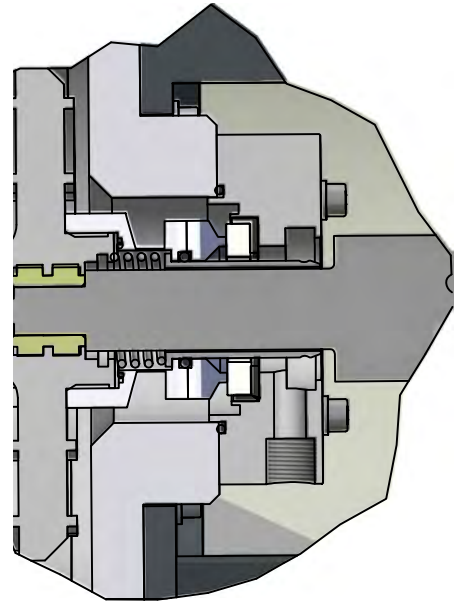
#### GASKETS:

-FPM/EPDM/PTFE/FFKM

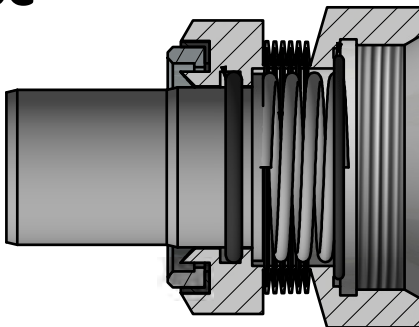
#### PERFORMANCE

V=8,44 m/s

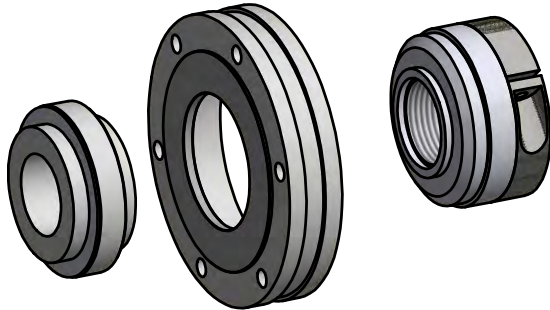
P= 6 bar



### Type SC



### Type SE



#### MATERIALS

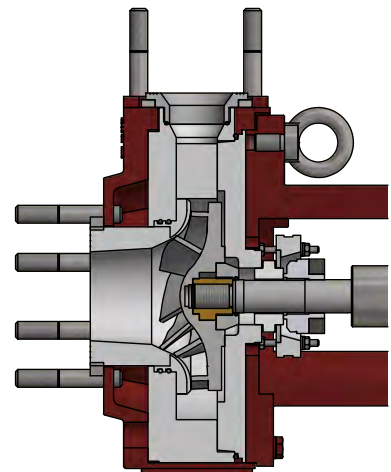
-PTFE+Vx1/CERAMIC -SSiC/SSiC

#### GASKETS:

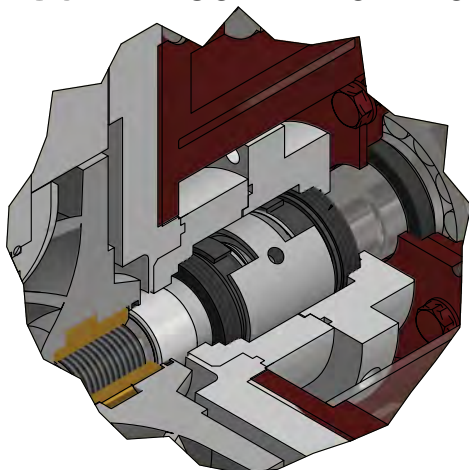
-FPM/EPDM/PTFE

#### PERFORMANCE

V=8 m/s - P= 9 bar



### Type 8622 DOUBLE MECHANICAL SEAL - API plan 53/54 FLUSHING



#### MATERIALS : SSiC/SSiC

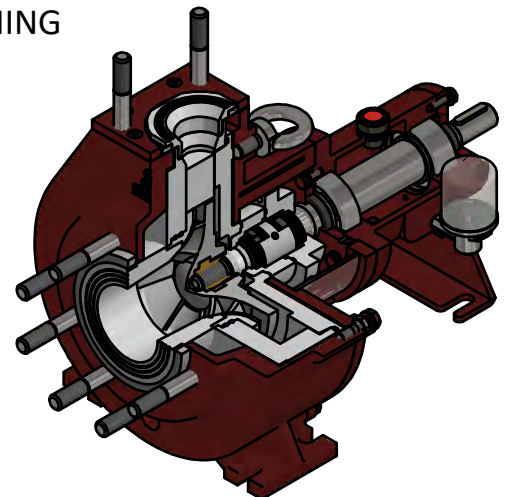
GASKETS: FPM/EPDM

#### PERFORMANCE

V=25 m/s

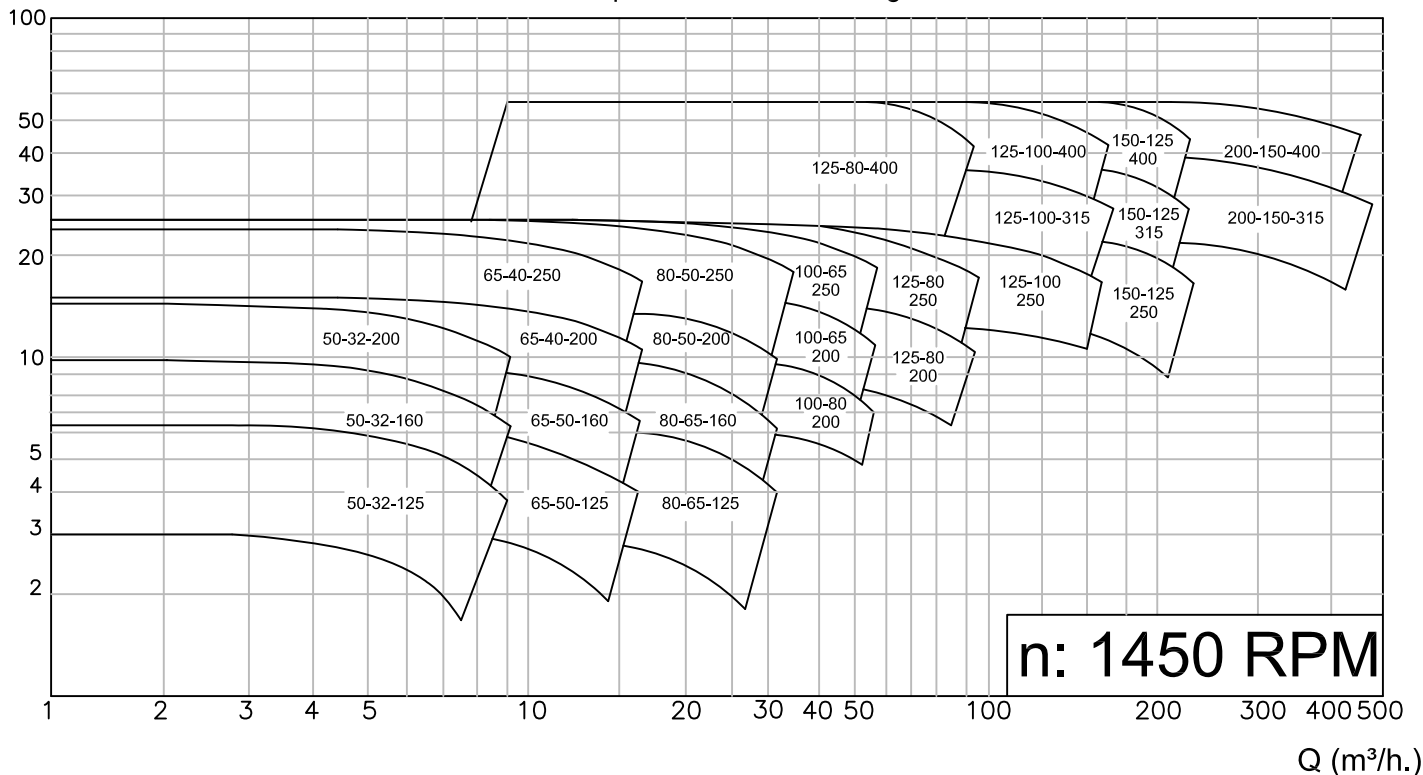
P= 10 bar

T= Up to 200°C

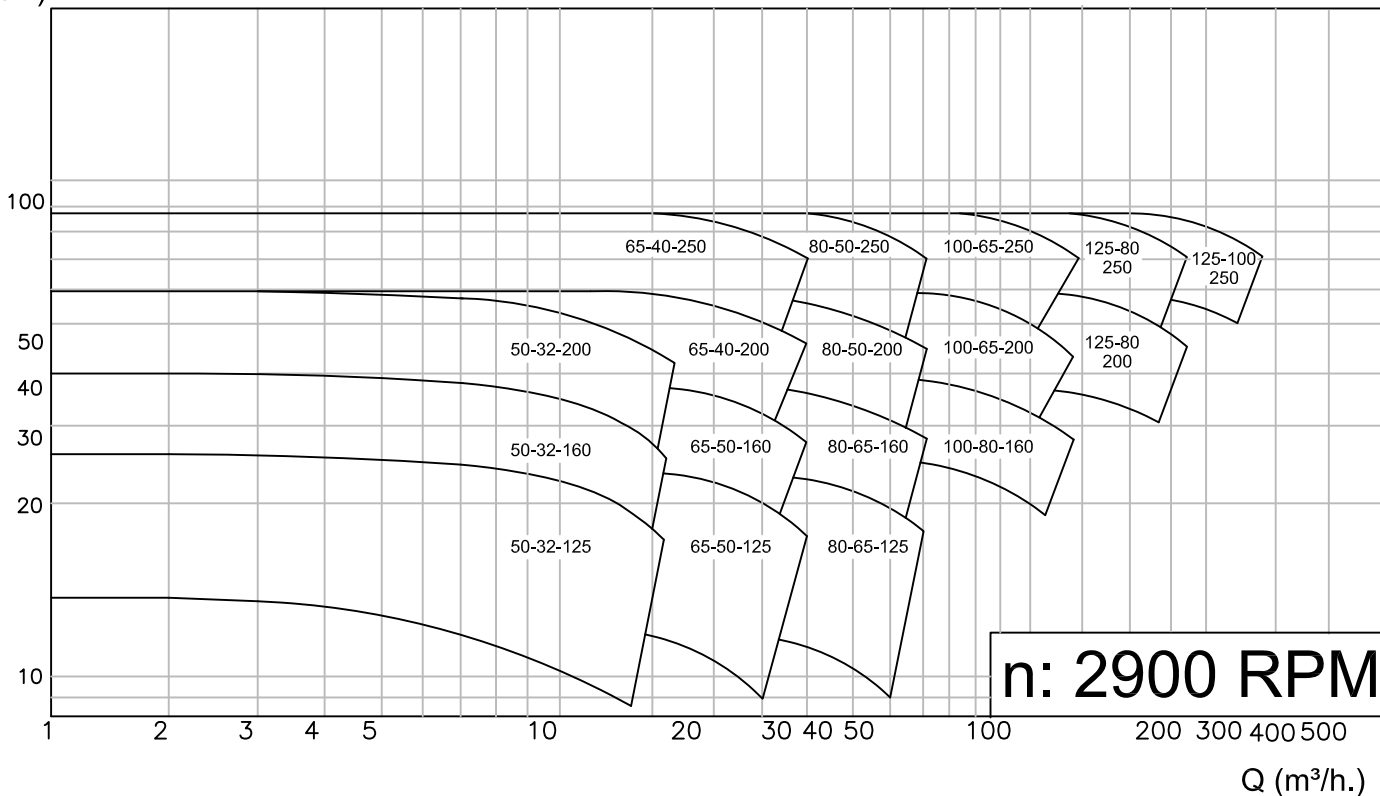


The shaft sealing systems meet the needs of the process with the possibility of installing a wide range of market seals and may differ from the mentioned above if the process may require it. All wetted parts are made of thermoplastic & anticorrosive material, so no metallic part is in contact with the handled liquid.

H(m.c.l.) Curvas características / Curves caractéristiques / Performance range



H(m.c.l.) Curvas características / Curves caractéristiques / Performance range

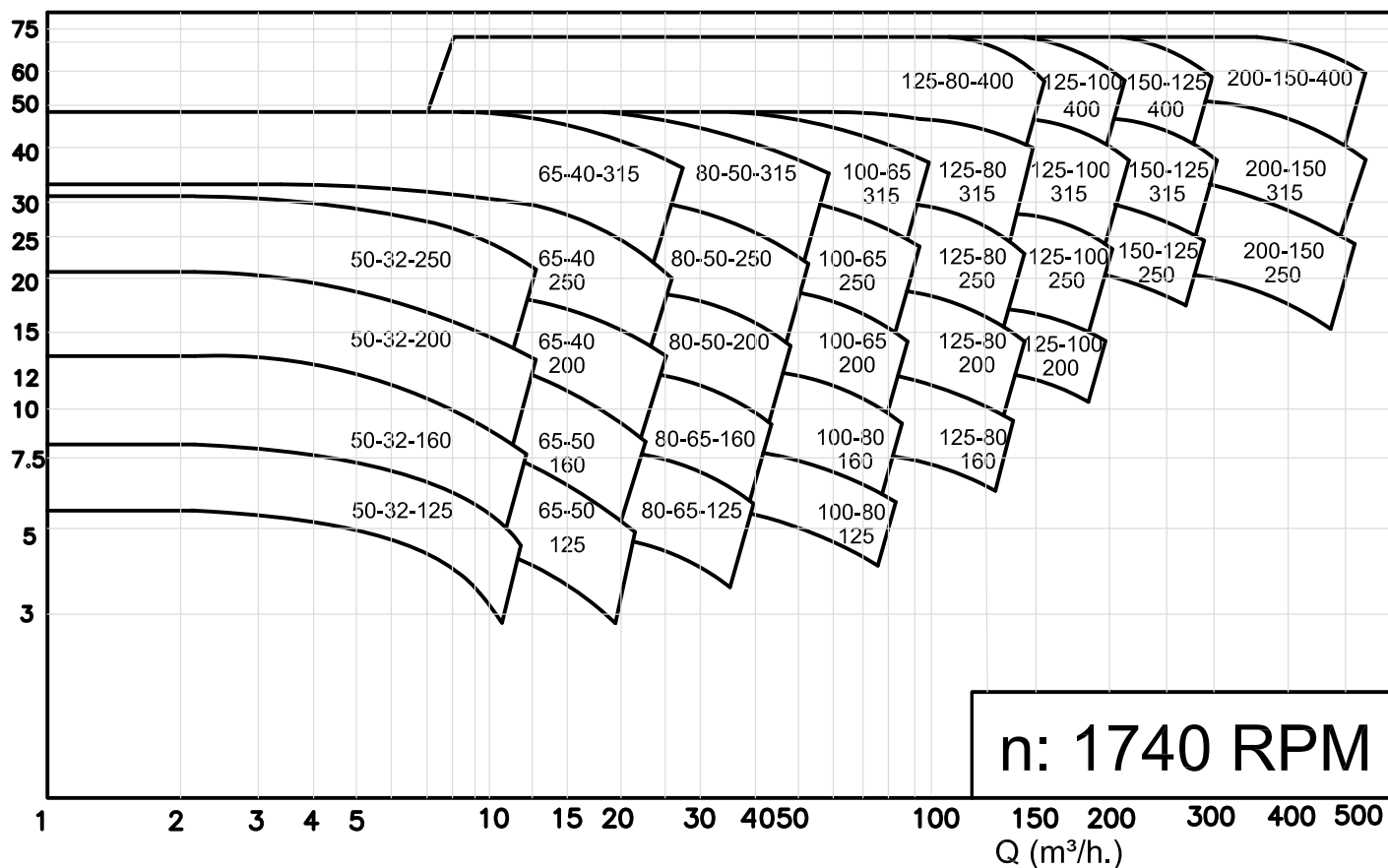


### PERFORMANCE CURVES TESTS:

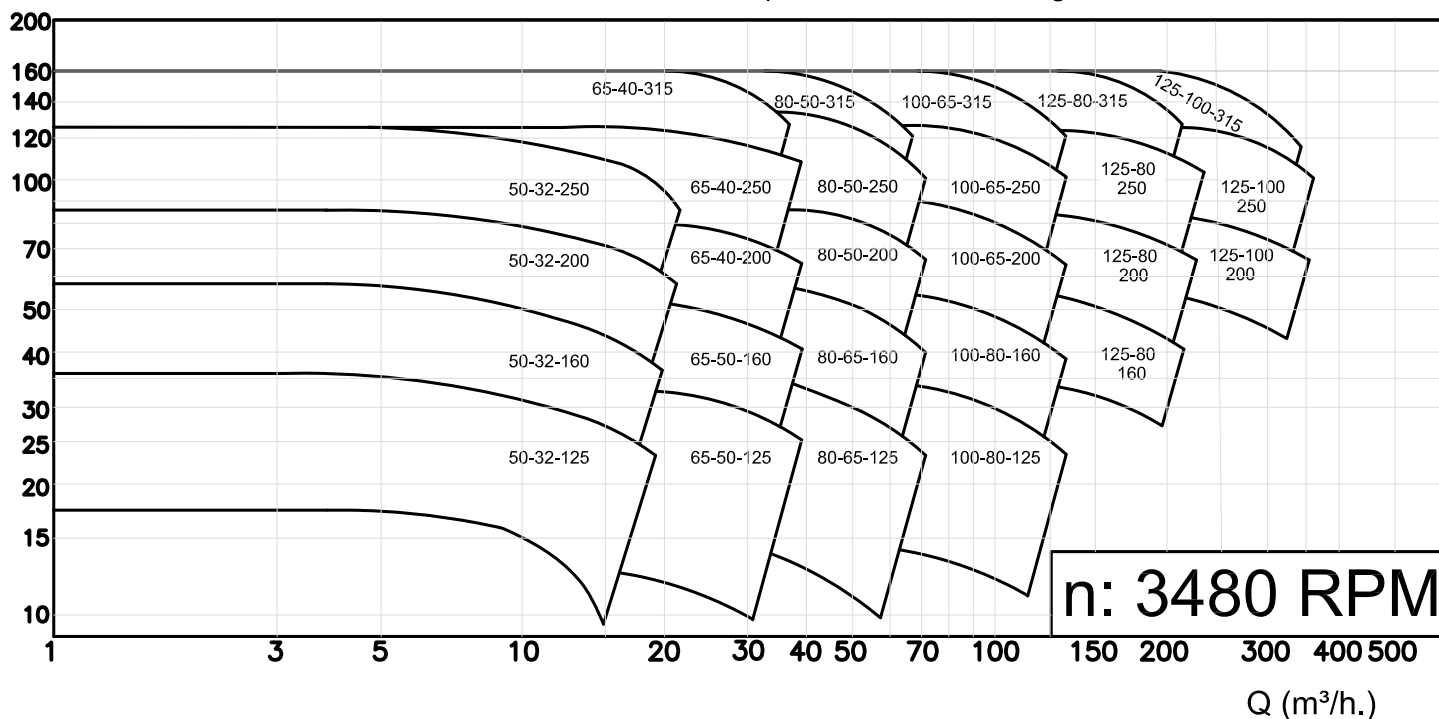
Each single pump is delivered with performance test certificate according ISO 9906 - Grade 2  
Grades 1E / U under request.



H(m.c.l.) Curvas características / Curves caractéristiques / Performance range



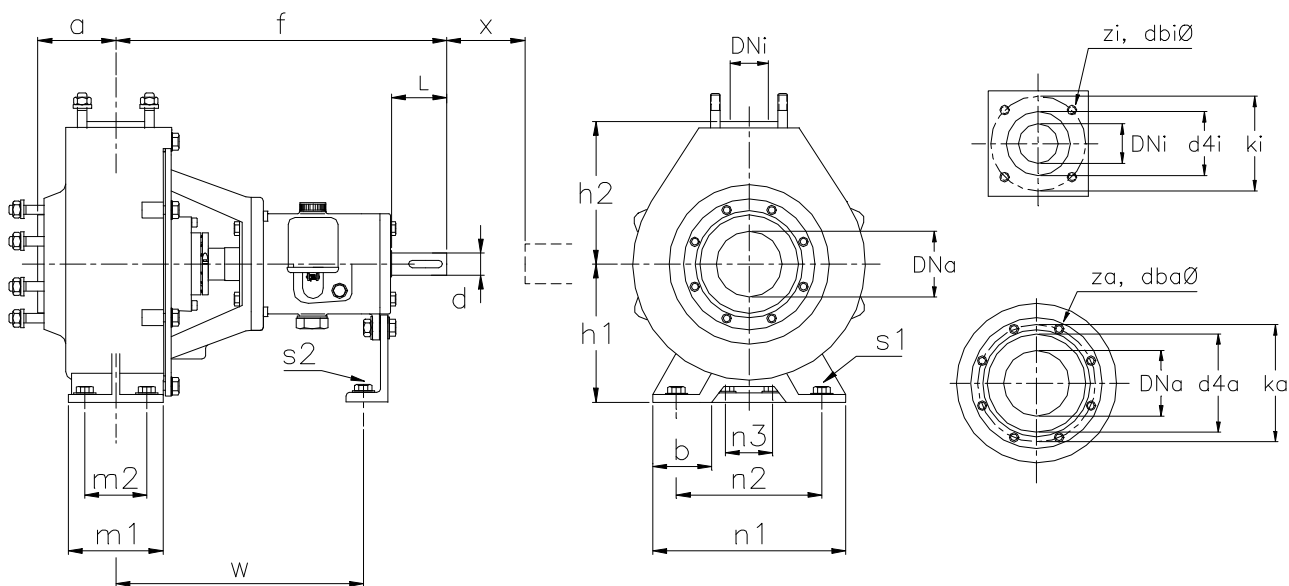
H(m.c.l.) Curvas características / Curves caractéristiques / Performance range



### PERFORMANCE CURVES TESTS:

Each single pump is delivered with performance test certificate according ISO 9906 - Grade 2  
Grades 1E / U under request.



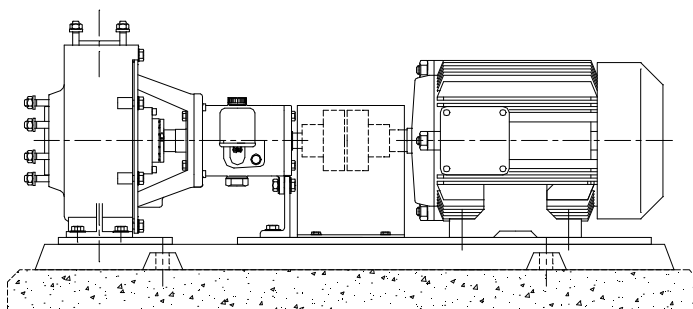


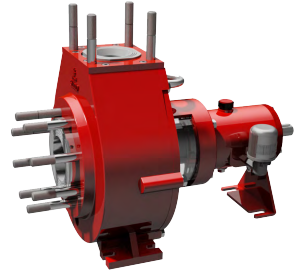
Dimensiones en mm. / Dimensions in mm. / Dimensions en mm.

TIPO TYPE PN	BRIDAS FLANGES BRIDES DIN-2502 PN16		BOMBA PUMP POMPE				APOYO SUPPORT APPUI						EJE SHAFT ARBRE			Spacer		
	DNa	DNi	a	f	h1	h2	b	m1	m2	n1	n2	n3	W	S1	S2		d	L
50-32-125	50	32	80	385	112	140	50	100	70	210	160	110	285	M 12	M 12	24	50	100
50-32-160					132	160				240	190							
50-32-200					160	180				265	212							
65-50-125	65	50	80	385	112	140	50	100	70	210	160	110	285	M 12	M 12	24	50	100
65-50-160					132	160				240	190							
65-40-200					160	180				265	212							
65-40-250	65	40	100	385	180	225	65	125	95	320	250	110	370	M 12	M 12	32	80	100
80-65-125					132	160				240	190							
80-65-160					160	180				265	212							
80-50-200	80	50	100	385	160	200	50	100	70	265	212	110	285	M 12	M 12	24	50	100
80-50-250					180	225				320	250							
80-50-315					225	280				345	280							
100-80-160	100	80	100	500	160	200	65	125	95	280	212	110	370	M 12	M 12	32	80	100
100-65-200					180	225				320	250							
100-65-250					200	250				360	280							
100-65-315	100	65	125	530	225	280	80	160	120	400	315	110	370	M 16	M 16	42	110	140
125-80-200					180	250				345	280							
125-80-250					225	280				400	315							
125-80-315	125	80	125	530	250	315	80	160	120	400	315	110	370	M 16	M 12	42	110	140
125-80-400					280	355				435	355							
125-100-250					225	280				400	315							
125-100-315	125	100	140	530	250	315	80	160	120	400	315	110	370	M 16	M 12	42	110	140
125-100-400					280	355				400	400							
150-125-250					250	355				400	315							
150-125-315	150	125	140	530	280	355	100	160	120	400	315	110	370	M 16	M 12	42	110	140
150-125-400					315	400				400	400							
200-150-250					530	280				375	500							
200-150-315	200	150	160	670	315	400	100	200	150	550	450	140	500	M 20	M 16	48	110	
200-150-400																		450

Bridas / Flanges / Brides: DIN-2502 PN16

DN	32	40	50	65	80	100	125	150	200
K	100	110	125	145	160	180	210	240	295
db Ø	M 16	M 16	M 16	M 16	M 16	M 16	M 16	M 20	M 20
z	4	4	4	4	8	8	8	8	12





Júpiter, 53 - P.I. Can Parellada - 08228 Terrassa  
BARCELONA  
[www.inbeat.es](http://www.inbeat.es) • [inbeat@inbeat.es](mailto:inbeat@inbeat.es)  
+34 93 785 25 16

