

**inbeat**

**CLOSE-COUPLED CHEMICAL CENTRIFUGAL PUMP**

**MPNS series**  
**EN 22858**

# MPNS series - EN22858

## Close-coupled centrifugal pump



inbeat

### GENERAL CHARACTERISTICS

MPNS it's a Close-coupled EN22858 pump version which allows to reach bigger duty points saving costs respect complete baseplate pump process. Their reliability and flexibility make them ideal for frequently used small and medium facilities. The MPNS series can be dismantled without changing its location.

The shaft sealing systems meet the needs of the process with the possibility of installing a wide range of market seals, either single, double opposition or external well balanced.

### APPLICATIONS

MPNS series are widely used in processes involving highly corrosive chemical substances specially suitable in scrubbers, recirculating and loading lines with a medium high flows and heads usually demanded on industry nowadays.

The scope of uses of MPNS series are wide-ranging: **Chemical industry, Water treatment Processes such as Desalination, steel industry, environment industry, etc.**

### FEATURES:

**Flows:** Up to 110 m<sup>3</sup>/h

**Head:** Up to 50 m.c.l.

**ATEX 94/9/CE arrangement under request**

**MATERIALS:** PP / PVDF / PEH / PVC



### ADDITIONAL CHARACTERISTICS:

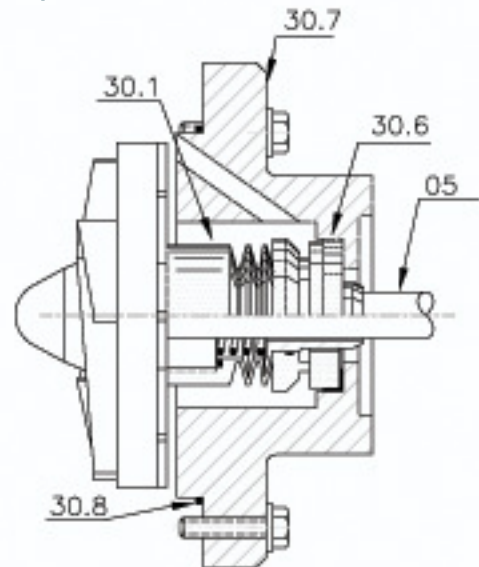
Paint protection according to ISO 12944-5:2007 Table A.3 category C3-M  
Available C4 & C5 paint protection levels under request.

### MPNS MECHANICAL SEALS ARRANGEMENTS

Special arrangements available under request

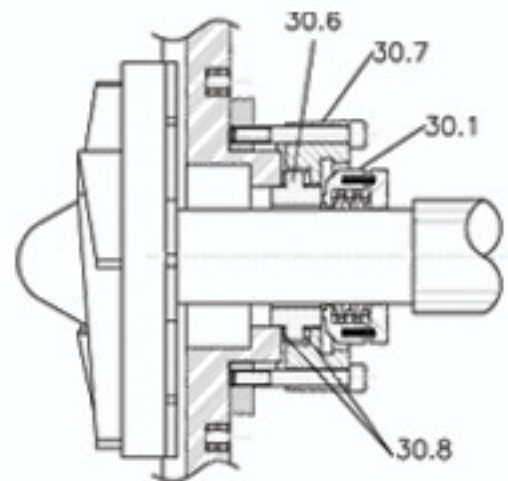
#### » SF/SC - INTERNAL SEAL API plan 01

- 30.1 - Rotating part
- 30.6 - Stationary part
- 30.7 - Clamping plate
- 30.8 - Stationary joints



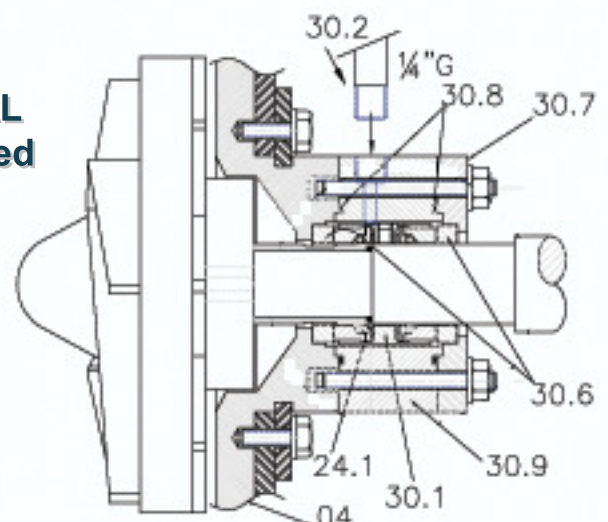
#### » SE-WELL BALANCED EXTRENAL SEAL

- 30.1 - Rotating part
- 30.6 - Stationary part
- 30.7 - Clamping plate
- 30.8 - Stationary joints



#### » 8622/B4 - DOUBLE IN OPPOSITION SEAL API plan 53/54 - code 9 ISO 5199 Required

- 30.1 - Rotating part
- 30.2 - Flush injection
- 30.6 - Stationary part
- 30.7 - Clamping plate
- 30.8 - O-ring joints



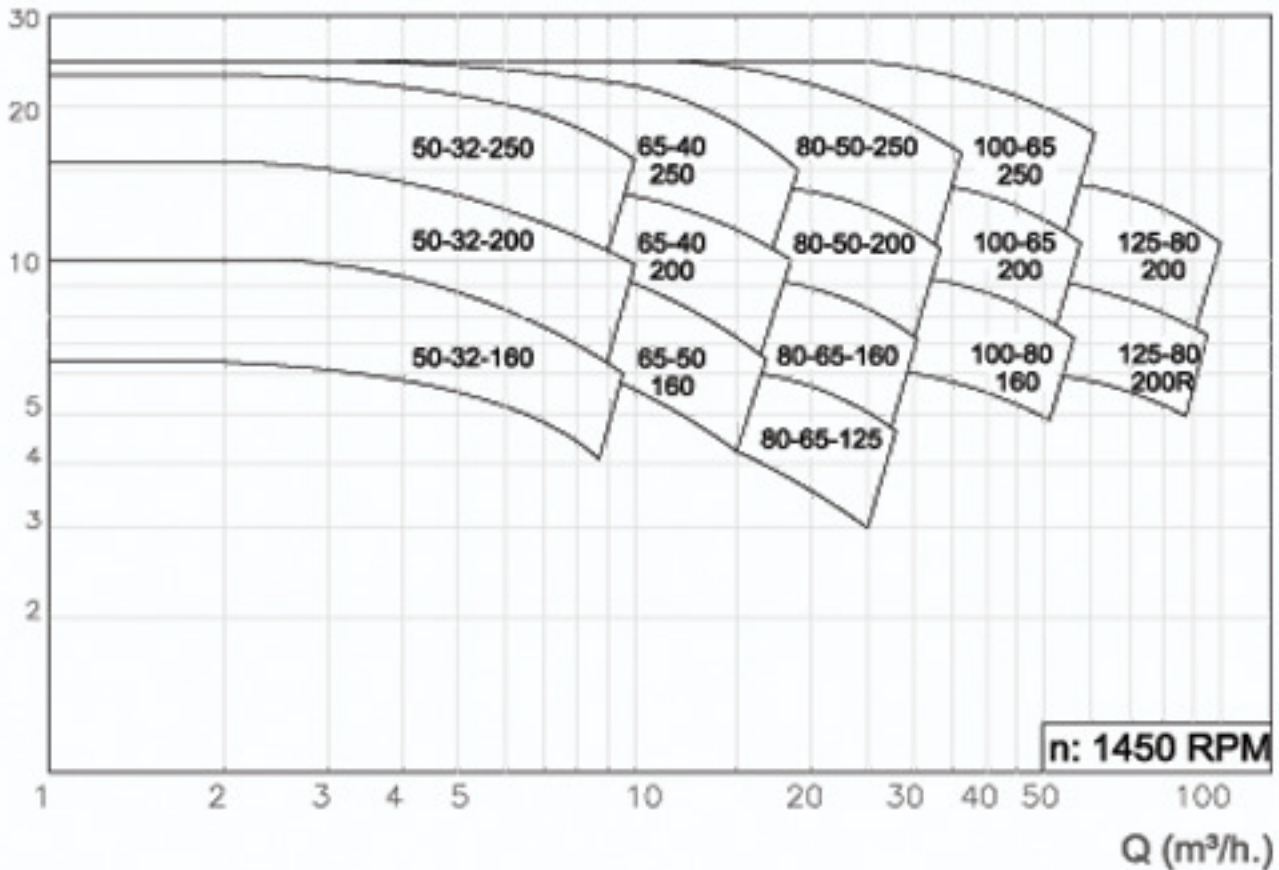




### Performance curves

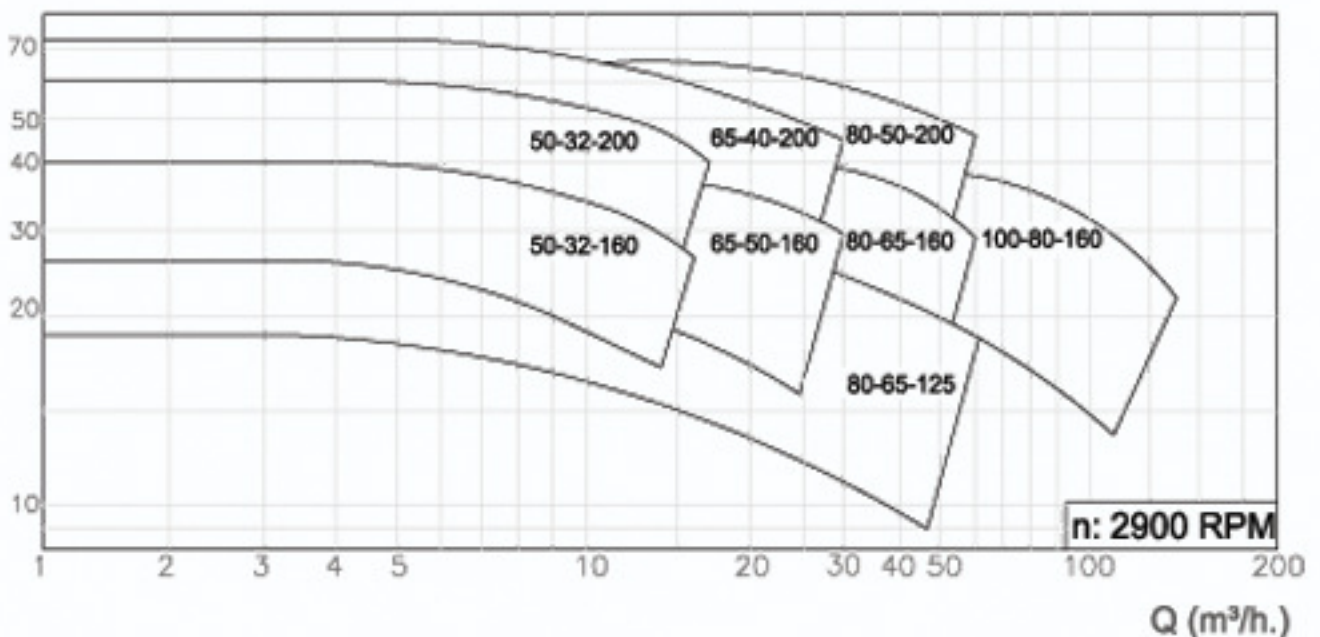
H(m.c.l.)

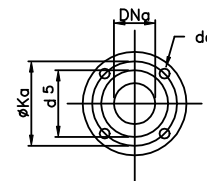
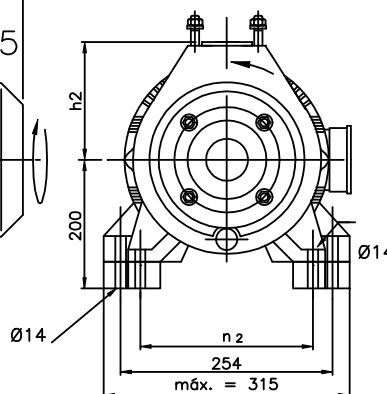
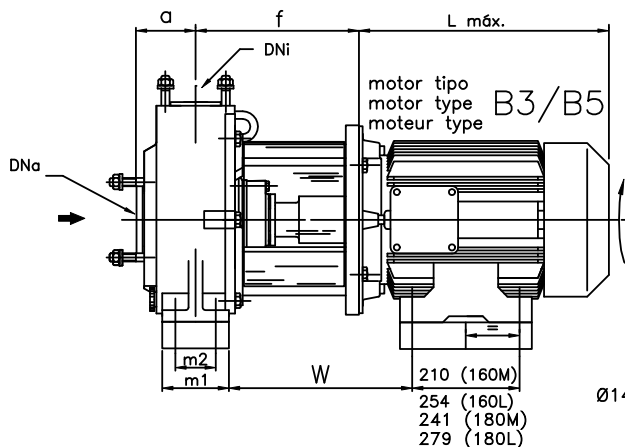
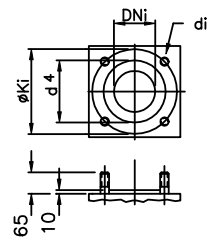
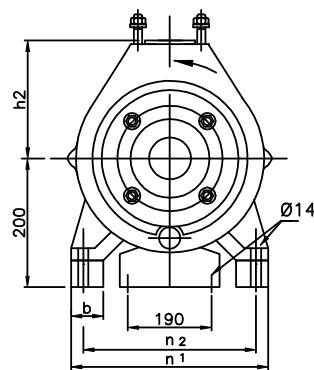
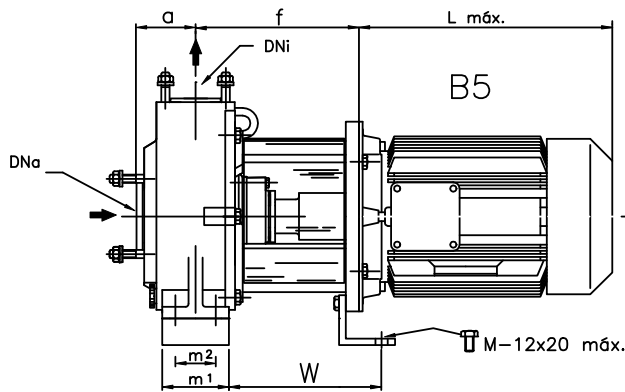
Curvas características / Curves caractéristiques / Performance range



H(m.c.l.)

Curvas características / Curves caractéristiques / Performance range



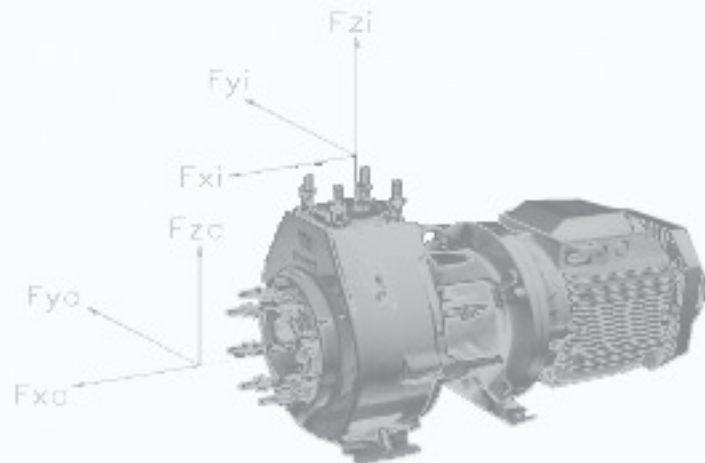


Dimensiones en mm. / Dimensions in mm. / Dimensions en mm.

TIPO TYPE  MPNS	BRIDAS FLANGES BRIDES		BOMBA PUMP POMPE				APOYO SUPPORT APPUI									
	ISO 7005-1 PN16		a	f	h1	h2	b	m1	m2	n1	n2	W	W iec 180			
	DNa	DNi														
50-32-160	50	32	80	230	132	160	50	100	70	240	190	270	-			
50-32-200					160	180						318	-			
65-50-125	65	50	80		132	160				240	190	270	-			
65-50-160					160	180						318	-			
65-40-200		40	100		180	225				65	125	95	320	250	165	178
65-40-250					132	160				240	190	270	-			
80-65-125	80	65	100	160	180	50	100	70	265	212	318	-				
80-65-160				160	200				240	190	270	-				
80-50-200		50	125	247	180	225	320	250	156	170						
80-50-250					277	160			200	65	125	95	280	212	322	335
100-80-160	100	80	100	247	180	225	65	125	95	320	250	156	170			
100-65-200				285	200	250				80	160	120	360	280	295	308
100-65-250		65	125	315	225	280	400	315	343				356			
100-65-315				277	180	250	65	125	95	345	280	165	178			
125-80-200	125	80	125	315	225	280	80	160	120	400	315	295	308			
125-80-200R					250	315						435	355	343	356	
125-80-250					280	355				435	355			323	336	
125-80-315					225	280						80	160	120	400	315
125-80-400	250	315														
125-100-250	125	100	140		315	225	280	80	160	120	400	315	343	356		
125-100-315				280		355										
200-150-250	200	150	160	315	280	375	100	200	150	500	400	323	336			

Bridas / Flanges / Brides: ISO 7005-1 PN16

DN	32	40	50	65	80	100	125	150	200
K	100	110	125	145	160	180	210	240	295
da-i Ø	M 16	M 16	M 16	M 16	M 16	M 16	M 16	M 20	M 20
z	4	4	4	4	8	8	8	8	12



### MAXIMUM ALLOWED NOZZLE LOADINGS

Hoja/sheet/Feuille: E-0040-6

TIPO TYPE  MPNS	FUERZAS / FORCES						MOMENTOS / MOMENTS					
	IMPULSIÓN / DISCHARGE			ASPIRACIÓN / SUCTION			IMPULSIÓN / DISCHARGE			ASPIRACIÓN / SUCTION		
	N			N			N.m			N.m		
	Fxi	Fyi	Fzi	Fxa	Fya	Fza	Mxi	Myi	Mzi	Mxa	Mya	Mza
50-32-200	68,06	507,94	1658,08	144,62	1079,38	1294,64	12,11	90,42	45,21	12,11	90,42	29,73
65-50-160	72,78	518,73	1796,21	161,00	1147,49	1402,52	18,05	128,64	64,32	18,05	128,64	42,29
65-40-200	65,87	548,53	1848,00	139,97	1165,63	1368,00	12,44	103,58	51,79	12,44	103,58	36,17
80-65-125	79,09	590,25	2096,77	174,95	1305,71	1552,15	22,91	171,02	85,51	22,91	171,02	66,63
80-65-160	72,04	599,96	2082,55	153,10	1274,90	1541,63	20,21	168,32	84,16	20,21	168,32	58,77
80-50-200	65,98	549,41	1919,08	148,44	1236,17	1420,62	18,66	155,37	77,69	18,66	155,37	54,25
100-80-160	108,56	708,83	3026,34	239,75	1594,87	2382,44	54,50	362,55	181,27	54,50	362,55	362,55
125-80-200	72,37	635,83	2545,71	172,88	1518,92	1902,86	30,12	264,59	132,30	30,12	264,59	88,29

PAR APRIETE RECOMENDADO EN BRIDAS

FLANGE TORQUING RECOMMENDATIONS

COUPLE DE SERRAGE MAXIMUM ADMISSIBLE PAR LA BOULONNERIE

Par [Nm]	Diametro nominal / Nominal Width [mm]										
	25	32	40	50	65	80	100	125	150	200	250
	-	15	18	20	22	24	24	26	-	-	-



**inbeat**

**JÚPITER, 53  
Poligono Industrial Can Parellada  
08228 TERRASSA  
BARCELONA  
SPAIN**



**41.53955,2.035119**

**Ph. +34 93 785 25 16 / FAX +34 93 783 78 78  
[www.inbeat.es](http://www.inbeat.es)  
[inbeat@inbeat.es](mailto:inbeat@inbeat.es)**